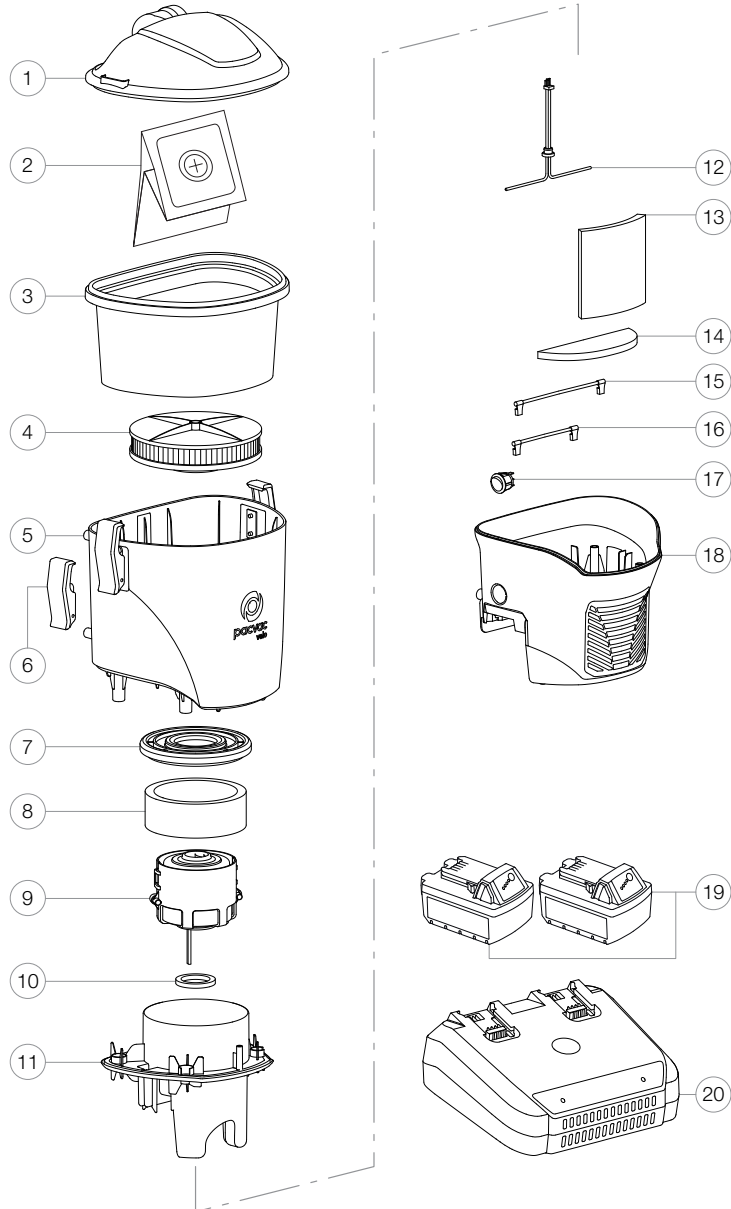





### Parts Profile

Velo - 01VE001VB



-  Plug Type I
-  Plug Type G
-  Plug Type F

### Spare Parts

Quote these part numbers when ordering spare parts.

| No.  | Part Name                                    | Part No.     |
|------|--|--------------|
| 1.   | Clear lid 2.5L                               | LID002       |
| 2.   | Disposable sealed paper dust bag 2.5L (10pk) | DUB026       |
| 3.   | Reusable SMS dust bag 2.5L (grey)            | DUB024       |
| 4.   | HEPA hi-flow filter                          | FIL025       |
| 5.   | Canister assembly                            | CAN017       |
| 6.   | Latch assembly                               | LAT007       |
| 7.   | Rubber motor cover 127mm                     | COV020       |
| 8.   | Insulation foam 115mm                        | INS015       |
| 9.   | 250W Motor assembly                          | MOT016       |
| 10.  | Rubber gasket motor 45mm                     | GAS012       |
| 11.  | Housing assembly                             | INH013       |
| 12.  | Wiring motor terminal 260mm                  | WIR007       |
| 13.  | Square exhaust filter                        | FIL026       |
| 14.  | Insulation foam 145mm                        | INS014       |
| 15.  | Wiring switch terminal 140mm                 | WIR008       |
| 16.  | Wiring switch terminal 100mm                 | WIR009       |
| 17.  | On/off switch                                | SWI008       |
| 18.  | Motor housing                                | HOU008       |
| 19.  | Rechargeable lithium-ion battery 18V         | BP001BP01A01 |
| 20a. | Battery charger                              | BC001BC01A02 |
| 20b. | Battery charger (type G and F)               | BC001BC01A03 |

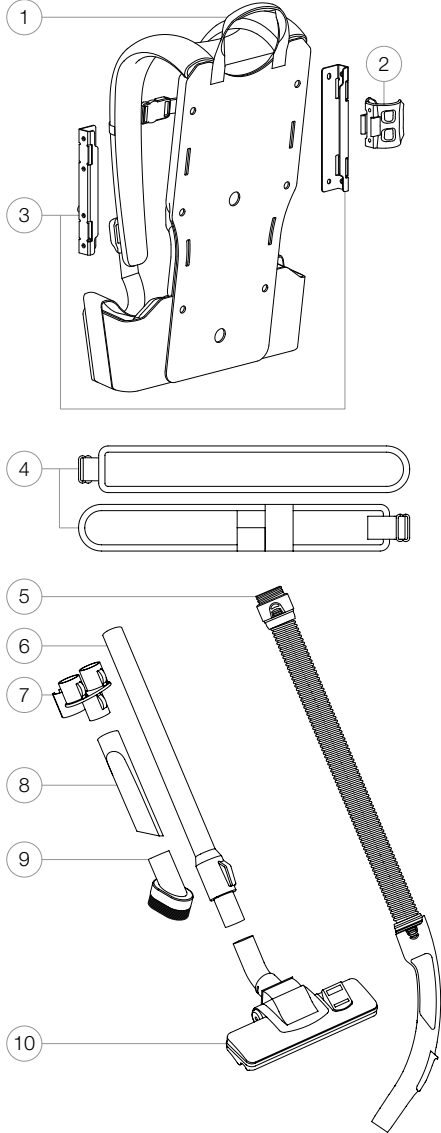
### Specifications

|                                  |   |
|----------------------------------|---|
| <b>Model</b>                     | 01VE001VB   |
| <b>Motor</b>                     | 250W single-stage flow through BLDC                 |
| <b>Volt/Frequency</b>            | 36V DC  |
| <b>Noise Level (at 1.5m)</b>     | 65dB(A)   |
| <b>Filtration</b>                | 4 stage, HEPA rated hi-flow filter                  |
| <b>Volumetric Airflow (Max.)</b> | 21L/s   |
| <b>Capacity</b>                  | 2.5L  |
| <b>Weight</b>                    | 4.6kg (inc. battery packs, ex. hose assembly)       |
| <b>Power Source</b>              | Rechargeable lithium-ion battery packs - 2 x 18V DC |
| <b>Vibration Level</b>           | ≤2.5 m/s <sup>2</sup>                               |

\*Technical specifications, part numbers and part designs are subject to change without notice.

### Parts Profile

Velo - 01VE001VB



### Spare Parts

Quote these part numbers when ordering spare parts.

| No. | Part Name                       | Part No. |
|-----|---------------------------------|----------|
| 1.  | Harness                         | HAR003   |
| 2.  | Wand holder clip                | HOL025   |
| 3.  | Steel plate connector           | PLA004   |
| 4.  | Harness waistband               | HAR005   |
| 5.  | Screw fit hose 1.05m            | HOA015   |
| 6.  | Aluminium extendable wand 920mm | WND007   |
| 7.  | Wand tool holder                | CLI007   |
| 8.  | Crevice tool 32mm               | ACC002   |
| 9.  | Dusting brush 32mm              | ACC001   |
| 10. | Combination floor tool 260mm    | FLT016   |



Phone 09 520 20 30 or 04 234 10 20  
[contact@spn.nz](mailto:contact@spn.nz) | [www.spv.nz](http://www.spv.nz)