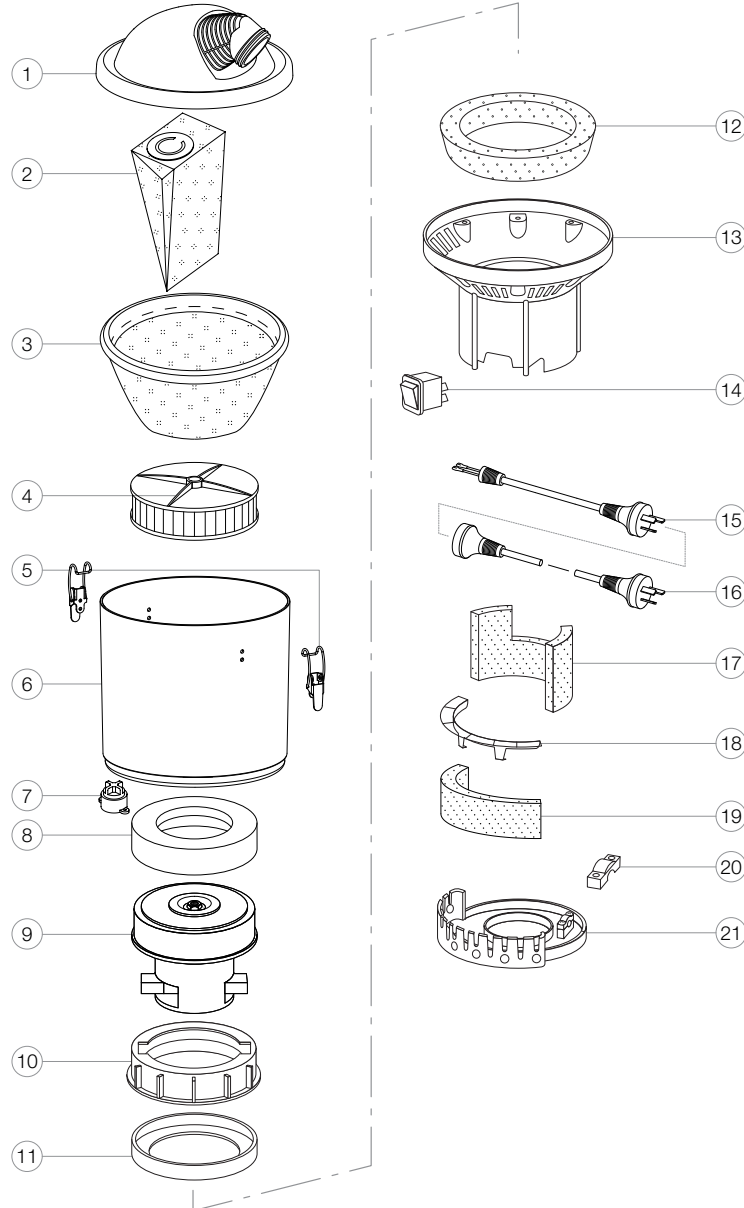


Parts Profile

Thrift 650 - 01TH650VB



Spare Parts

Quote these part numbers when ordering spare parts.

No.	Part Name	Part No.
1.	Clear lid 5L	LID001
2.	Disposable sealed SMS dust bag 5L (10pk)	DUB030
3.	Reusable SMS dust bag 5L (white)	DUB006
4.	Hi-flow filter	FIL002
5.	Aluminium latch	LAT001
6.	Thrift 650 canister	CAN002
7.	Plastic spring loaded valve 32mm	VAL002
8.	Foam gasket motor (yellow)	GAS007
9.	1300W Single-stage flow through motor	MOT005
10.	Rubber motor spacer 145mm	SPA002
11.	Rubber motor gasket pin	GAS007
12.	Noise insulation foam 180mm	INS008
13.	Housing insert (grey)	INH004
14.	Rocking switch on/off	SWI001
20.	Thrift 650 hard-wired short lead	SHL003
21.	18m extension cord	EXL001
15.	Insulation motor foam 180mm	INS009
16.	Front motor filter cage (blue)	CAG002
17.	Exhaust foam filter	FIL004
18.	Cable clamp 34mm	CLA001
19.	Bottom cap 175mm	BOT001

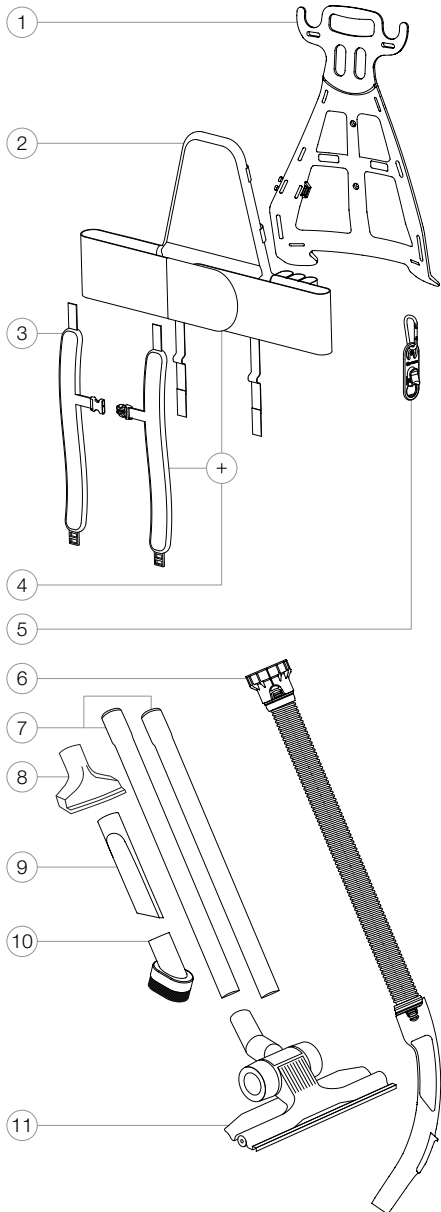
Specifications

Model	Thrift 650
Model No	01TH650VB
Volts/Frequency	220-240V AC 50Hz
Motor	1300W single-stage flow through
Noise Level (at 1.5m)	66dB(A)
Filtration	4 stage, hi-flow filter
Volumetric Airflow (Max.)	55L/s
Capacity	5L
Weight (excluding power cord assembly and hose)	4.8kg
Power Source	Mains, 18m power cord, hardwired
Vibration Level	≤2.5m/s ²

*Technical specifications, part numbers and part designs are subject to change without notice.

Parts Profile

Superpro 700 - 01PR700VB



Spare Parts

Quote these part numbers when ordering spare parts.

No.	Part Name	Part No.
1.	Backpack frame	FRA001
2.	Harness back and hip band	HAR001
3.	Padded shoulder strap	STP003
4.	Harness kit	HRT001
5.	Cord restraint	COR004
6.	Screw fit hose (bent handpiece) 1.2m	HOA001
7.	Chrome two piece wand	WND002
8.	Upholstery tool 32mm	ACC003
9.	Crevice tool 32mm	ACC002
10.	Dusting brush 32mm	ACC001
11.	All purpose floor tool 285mm	FLT001

Optional Extras

Quote the following part numbers when ordering spare parts for all models.

No.	Part Name	Part No.
12.	Combination floor tool 270mm	FLT003
13.	Hard surface floor tool 300mm	FLT005
14.	Turbo head floor tool 280mm	FLT007
15.	Plug-in RCD	RCD003
16.	Chrome extendable wand 950mm	WND001



Phone 09 520 20 30 or 04 234 10 20
contact@spn.nz | www.spv.nz

*Technical specifications, part numbers and part designs are subject to change without notice.