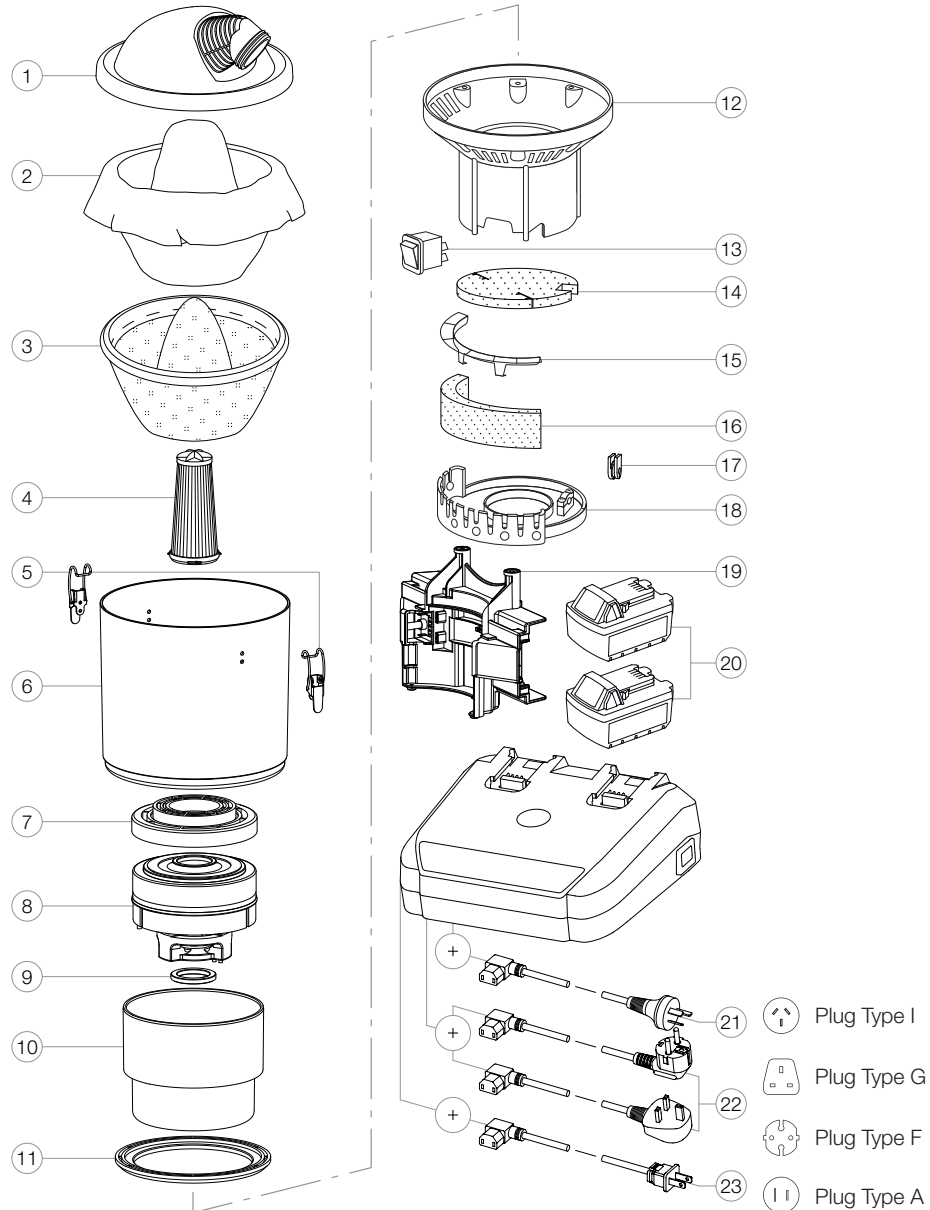


Parts Profile

Superpro battery 700 advanced - 01BA700VB (AU, UK and EU) / 02BA700VB (US and CA)



Spare Parts

Quote these part numbers when ordering spare parts.

No.	Part Name	Part No.
1.	Clear lid 5L	LID001
2.	Disposable paper dust bag 5L (10pk)	DUB019
3.	Reusable SMS cone dust bag 5L (grey)	DUB003
4.	HEPA rated cone filter	FIL001
5.	Aluminium latch	LAT001
6.	Superpro 700 canister	CAN001
7.	Rubber motor gasket pin	GAS007
8.	300W Brushless motor	MOT014
9.	Rubber gasket motor 45mm	GAS012
10.	Motor cover	COV016
11.	Motor gasket 160mm	GAS013
12.	Housing insert (blue)	INH003
13.	Rocking switch on/off	SWI001
14.	Insulation foam 154mm	INS011
15.	Front motor filter cage (black)	CAG001
16.	Exhaust foam filter	FIL004
17.	Rubber grommet 17mm	GRO003
18.	Bottom cap 175mm	BOT001
19.	Battery holder	HOL019
20.	Rechargeable lithium-ion battery 18V	BP001BP01A01
21.	Battery charger	BC001BC01A02
22.	Battery charger (type G and F)	BC001BC01A03
23.	Battery charger (type A)	BC001BC02A02

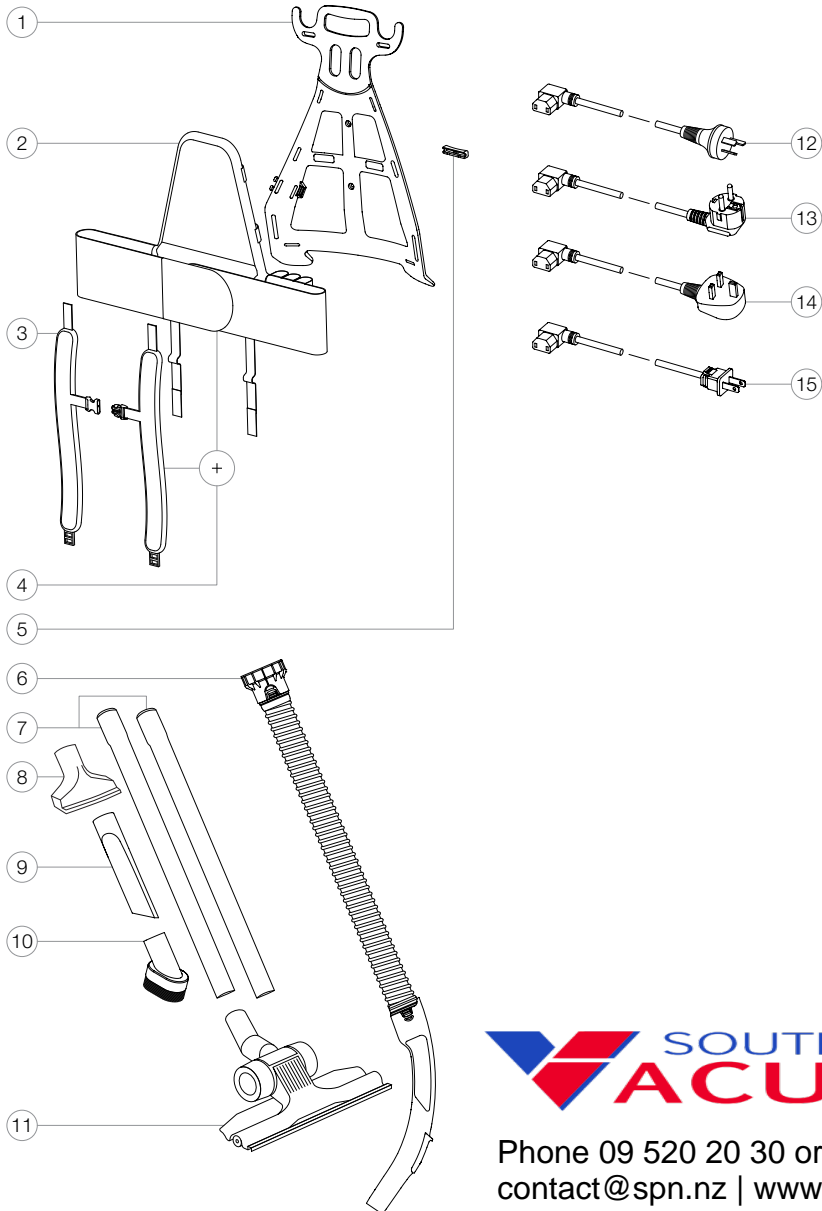
Specifications

Model	Superpro battery 700 advanced
Model No	01BA700VB (AU, UK and EU) 02BA700VB (US and CA)
Volts/Frequency	36V DC
Motor	300W single-stage flow through BLDC
Noise Level (at 1.5m)	64dB(A)
Filtration	4 stage, HEPA rated Hypercone™ filter
Volumetric Airflow (Max.)	33L/s
Capacity	5L
Weight (inc. battery packs, ex. hose assembly)	5.2kg
Power Source	Rechargeable lithium-ion battery packs - 2 x 18V DC
Vibration Level	≤2.5m/s ²

*Technical specifications, part numbers and part designs are subject to change without notice.

Parts Profile

Superpro battery 700 advanced - 01BA700VB (AU, UK and EU) / 02BA700VB (US and CA)



Spare Parts

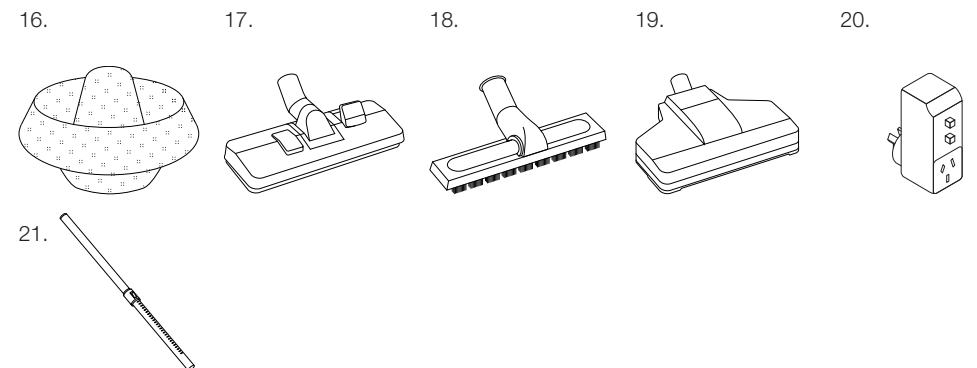
Quote these part numbers when ordering spare parts.

No.	Part Name	Part No.
1.	Backpack frame	FRA001
2.	Harness back and hip band	HAR001
3.	Padded shoulder strap	STP003
4.	Harness kit	HRT001
5.	Frame spacer 58mm	SPA003
6.	Screw fit hose 1.2m	HOA014
7.	Chrome two piece wand	WND002
8.	Upholstery tool 32mm	ACC003
9.	Crevice tool 32mm	ACC002
10.	Dusting brush 32mm	ACC001
11.	All purpose floor tool 285mm	FLT001
12.	Power cord with horizontal right angle C17 Type I	PWC026
13.	Power cord with horizontal right angle C17 Type G	PWC027
14.	Power cord with horizontal right angle C17 Type F	PWC028
15.	Power cord with horizontal right angle C17 Type A	PWC029

Optional Extras

Quote the following part numbers when ordering spare parts for all models.

No.	Part Name	Part No.
16.	Disposable SMS dust bag 5L (10pk)	DUB028
17.	Combination floor tool 270mm	FLT003
18.	Hard surface floor tool 300mm	FLT005
19.	Turbo head floor tool 280mm	FLT007
20.	Plug-in RCD	RCD003
21.	Chrome extendable wand 950mm	WND001



Phone 09 520 20 30 or 04 234 10 20
contact@spn.nz | www.spv.nz