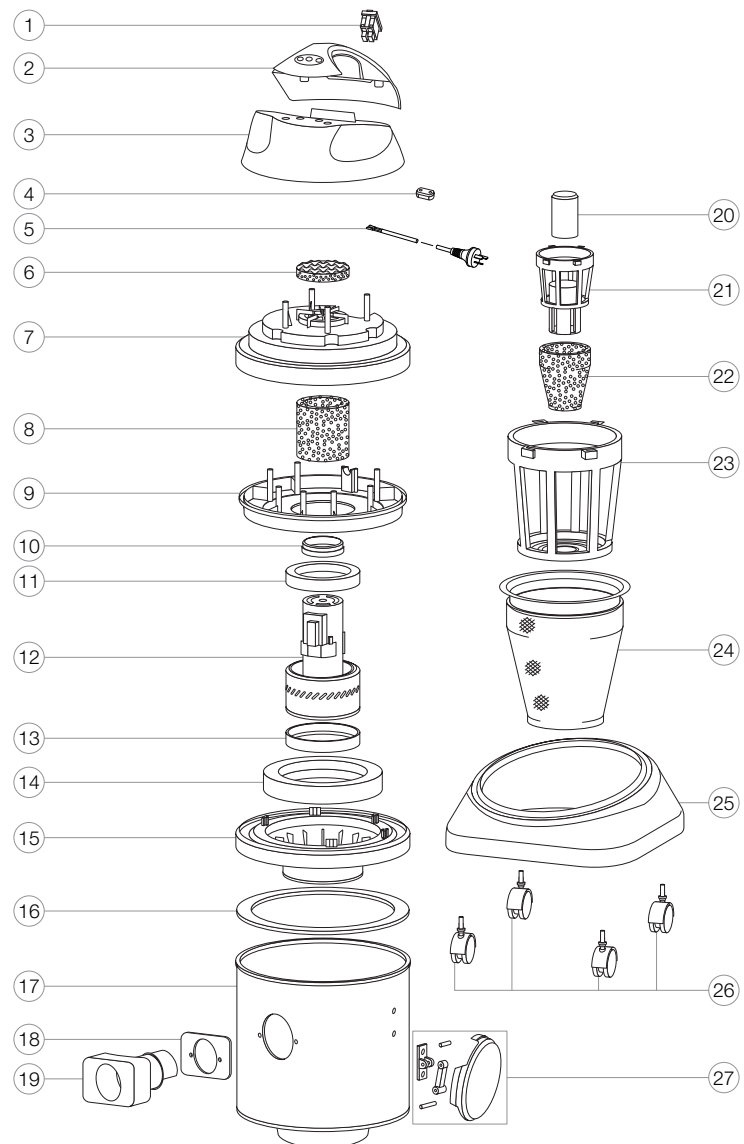


**Parts Profile**

Hydropro 21 - 01HY021VW



**Spare Parts**

Quote these part numbers when ordering spare parts.

No.	Part Name	Part No.
1.	Red illuminated waterproof switch	SWI005
2.	Handle cover 260mm	COV008
3.	Top cover 335mm	COV006
4.	Cable clamp 35mm	CLA002
5.	Hard-wired power cord 8.5m	PWC012
6.	Foam filter 120mm	FIL009
7.	Motor holder cover 350mm	COV003
8.	Tube filter	FIL016
9.	Motor holder 335mm	HOL006
10.	Ring spacer 82mm	SPA004
11.	Rubber gasket motor	GAS009
12.	1200W Two-stage bypass motor	MOT007
13.	Foam gasket motor (black)	GAS004
14.	Ring spacer 230mm	SPA008
15.	Motor base 350mm	BAS003
16.	Rubber gasket head 330mm	GAS001
17.	Hydropro 21 canister	CAN009
18.	Rubber gasket inlet 110mm	GAS003
19.	Hose inlet 45mm	HOI002
20.	Plastic float 80mm	FLO001
21.	Float cage	CAG005
22.	Foam filter cover	FIL010
23.	Small filter cage	CAG003
24.	Filter liner 260mm	FIL014
25.	Canister base 400mm	BAS001
26.	Plastic castor wheel 60mm	WHL001
27.	Plastic latch 110mm	LAT003

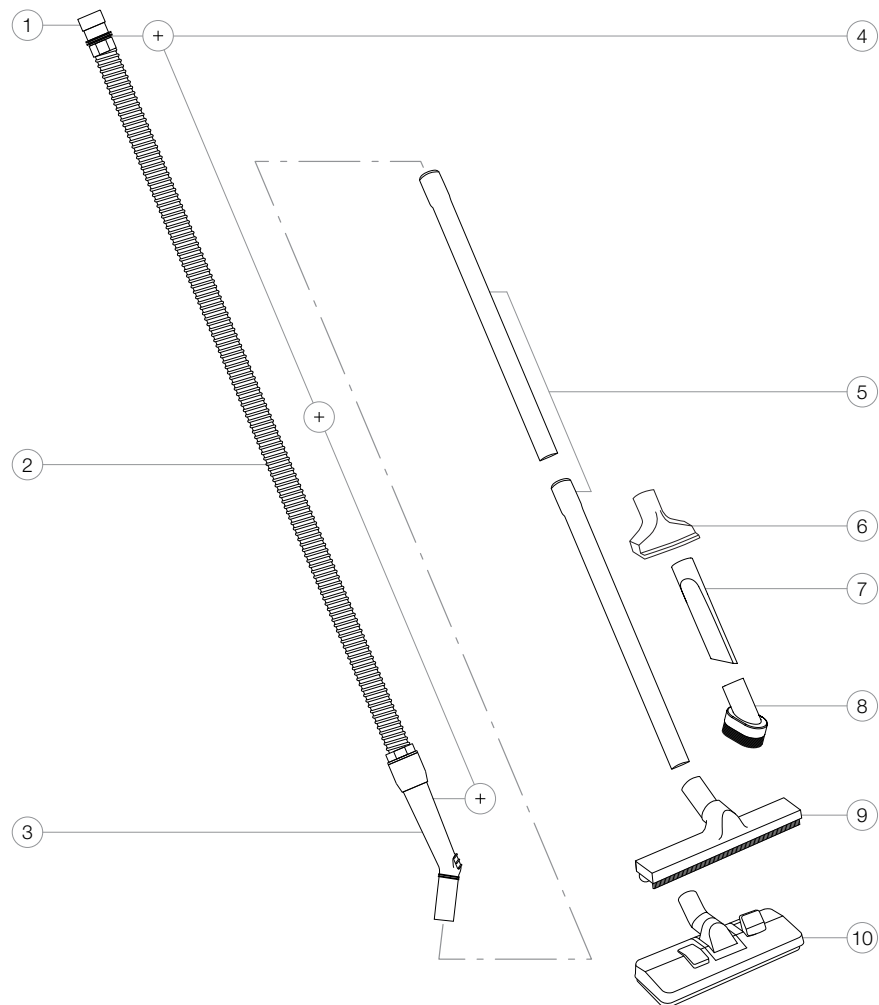
**Specifications**

<b>Model</b>	Hydropro 21
<b>Model No</b>	01HY021VW
<b>Volts/Frequency</b>	230-250V AC 50/60Hz
<b>Motor</b>	1200W two-stage by-pass
<b>Noise Level (at 1.5m)</b>	76dB(A)
<b>Filtration</b>	Wet one-stage, Dry two-stage (HEPA rated filter available)
<b>Volumetric Airflow (Max.)</b>	55L/s
<b>Capacity</b>	21L
<b>Weight (excluding power cord assembly and hose)</b>	8.8kg
<b>Power Source</b>	Mains, 8m power cord, hardwired

\*Technical specifications, part numbers and part designs are subject to change without notice.

## Parts Profile

Hydropro 21 - 01HY021VW



## Spare Parts

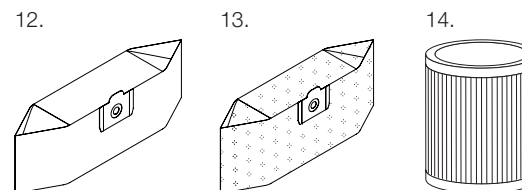
Quote these part numbers when ordering spare parts.

No.	Part Name	Part No.
1.	Hose connector screw fit	CON003
2.	Hose 2m	HOS001
3.	Short plastic handpiece	HAP002
4.	Push fit hose (curved handpiece) 2m	HOA005
5.	Chrome two piece wand	WND002
6.	Upholstery tool 32mm	ACC003
7.	Crevice tool 32mm	ACC002
8.	Dusting brush 32mm	ACC001
9.	Squeegee floor tool 300mm	FLT011
10.	Combination floor tool 270mm	FLT003

## Optional Extras

Quote the following part numbers when ordering spare parts for all models.

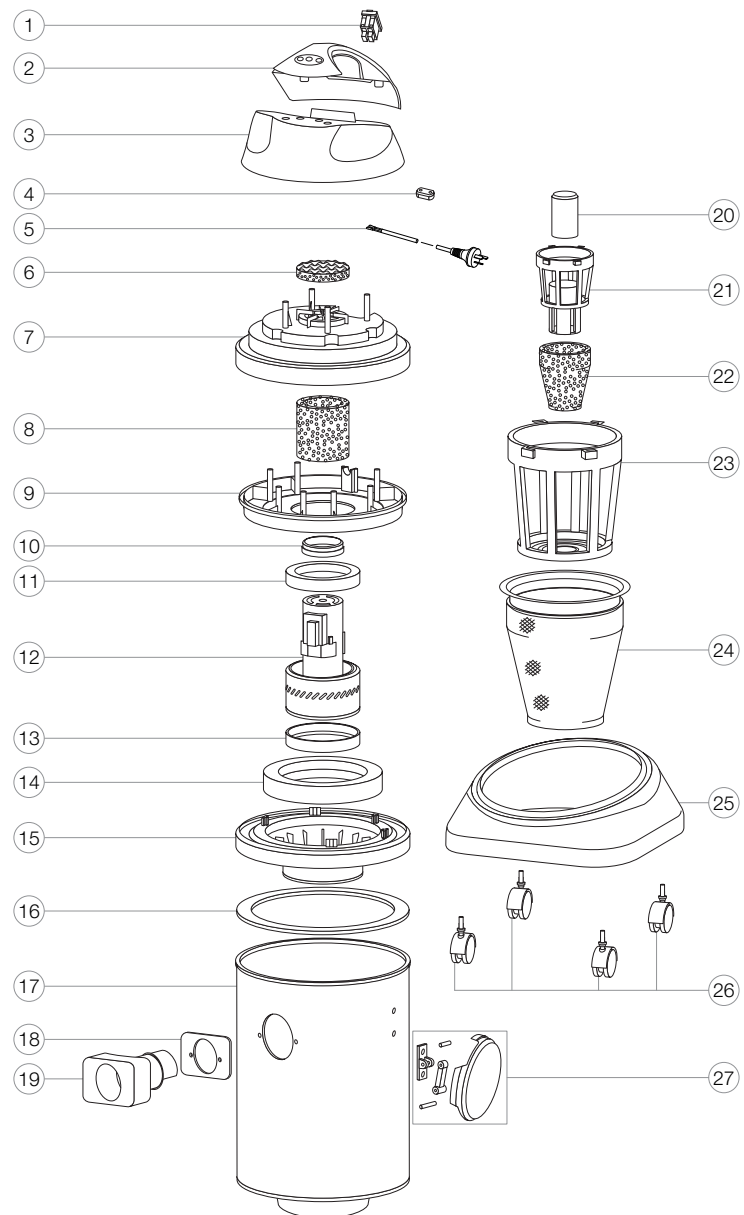
No.	Part Name	Part No.
12.	Disposable sealed paper dust bag 21L (5pk)	DUB010
13.	Disposable sealed SMS dust bag 21L (10pk)	DUB011
14.	HEPA rated filter 165mm	FIL012



\*Technical specifications, part numbers and part designs are subject to change without notice.

### Parts Profile

Hydropro 36 - 01HY036VW



### Spare Parts

Quote these part numbers when ordering spare parts.

No.	Part Name	Part No.
1.	Red illuminated waterproof switch	SWI005
2.	Handle cover 260mm	COV008
3.	Top cover 335mm	COV006
4.	Cable clamp 35mm	CLA002
5.	Hard-wired power cord 8.5m	PWC012
6.	Foam filter 120mm	FIL009
7.	Motor holder cover 350mm	COV003
8.	Tube filter	FIL016
9.	Motor holder 335mm	HOL006
10.	Ring spacer 82mm	SPA004
11.	Rubber gasket motor	GAS009
12.	1200W Two-stage bypass motor	MOT007
13.	Foam gasket motor (black)	GAS004
14.	Ring spacer 230mm	SPA008
15.	Motor base 350mm	BAS003
16.	Rubber gasket head 330mm	GAS001
17.	Hydropro 36 canister	CAN010
18.	Rubber gasket inlet 110mm	GAS003
19.	Hose inlet 45mm	HOI002
20.	Plastic float 80mm	FLO001
21.	Float cage	CAG005
22.	Foam filter cover	FIL010
23.	Small filter cage	CAG003
24.	Filter liner 260mm	FIL014
25.	Canister base 400mm	BAS001
26.	Plastic castor wheel 60mm	WHL001
27.	Plastic latch 110mm	LAT003

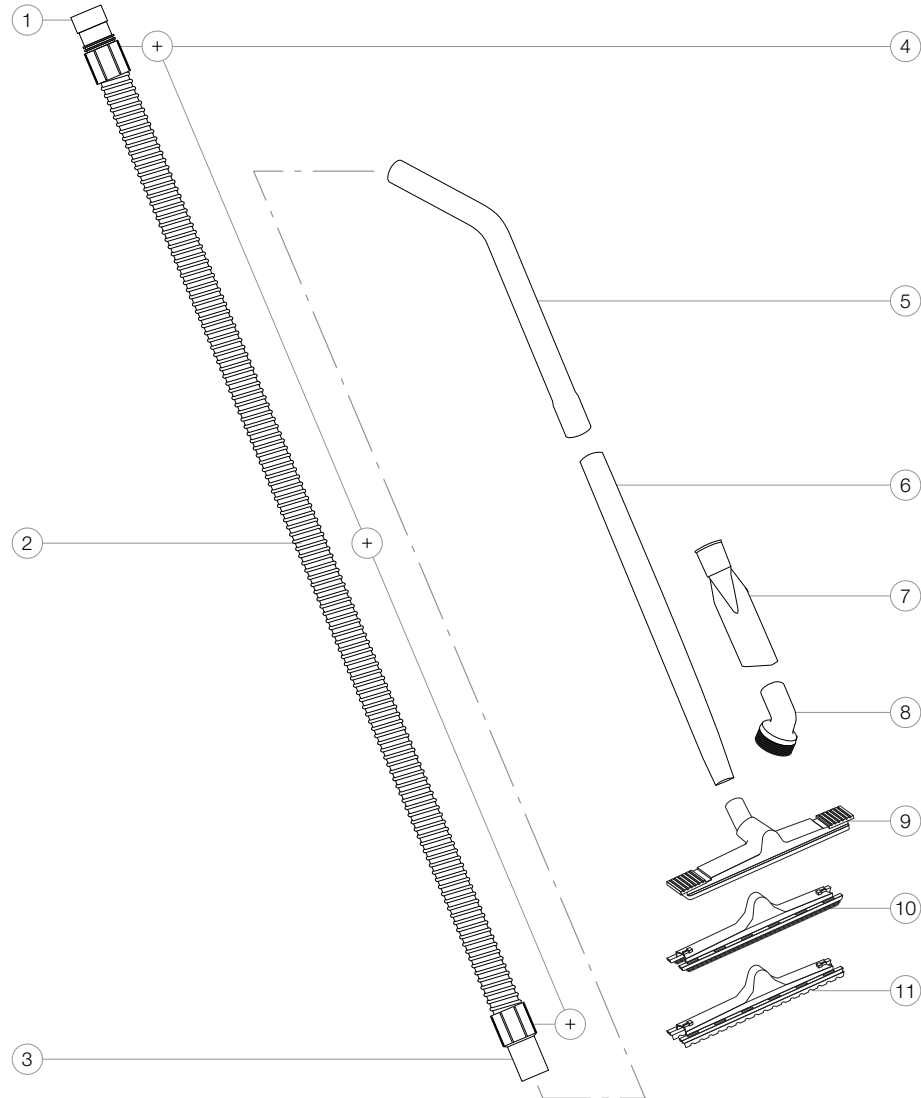
### Specifications

<b>Model</b>	Hydropro 36
<b>Model No</b>	01HY036VW
<b>Volts/Frequency</b>	230-250V AC 50/60Hz
<b>Motor</b>	1200W two-stage by-pass
<b>Noise Level (at 1.5m)</b>	72dB(A)
<b>Filtration</b>	Wet one-stage, Dry two-stage (HEPA rated filter available)
<b>Volumetric Airflow (Max.)</b>	55L/s
<b>Capacity</b>	36L
<b>Weight (excluding power cord assembly and hose)</b>	9.6kg
<b>Power Source</b>	Mains, 8m power cord, hardwired

\*Technical specifications, part numbers and part designs are subject to change without notice.

## Parts Profile

Hydropro 36 - 01HY036VW



## Spare Parts

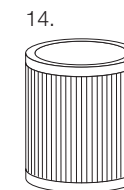
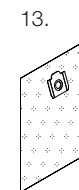
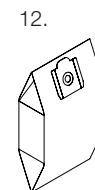
Quote these part numbers when ordering spare parts.

No.	Part Name	Part No.
1.	Hose connector wand end	CON004
2.	Hose 2.5m	HOS003
3.	Hose connector machine end	CON005
4.	Push fit hose (curved handpiece) 2.5m	HOA006
5.	Chrome bent piece wand	WND004
6.	Chrome straight piece wand	WND005
7.	Crevice tool 38mm	ACC005
8.	Dusting brush 38mm	ACC004
9.	Floor tool body 300mm	FLT009
10.	Floor tool insert 300mm	FLF003
11.	Squeegee floor tool insert 300mm	FLF005

## Optional Extras

Quote the following part numbers when ordering spare parts for all models.

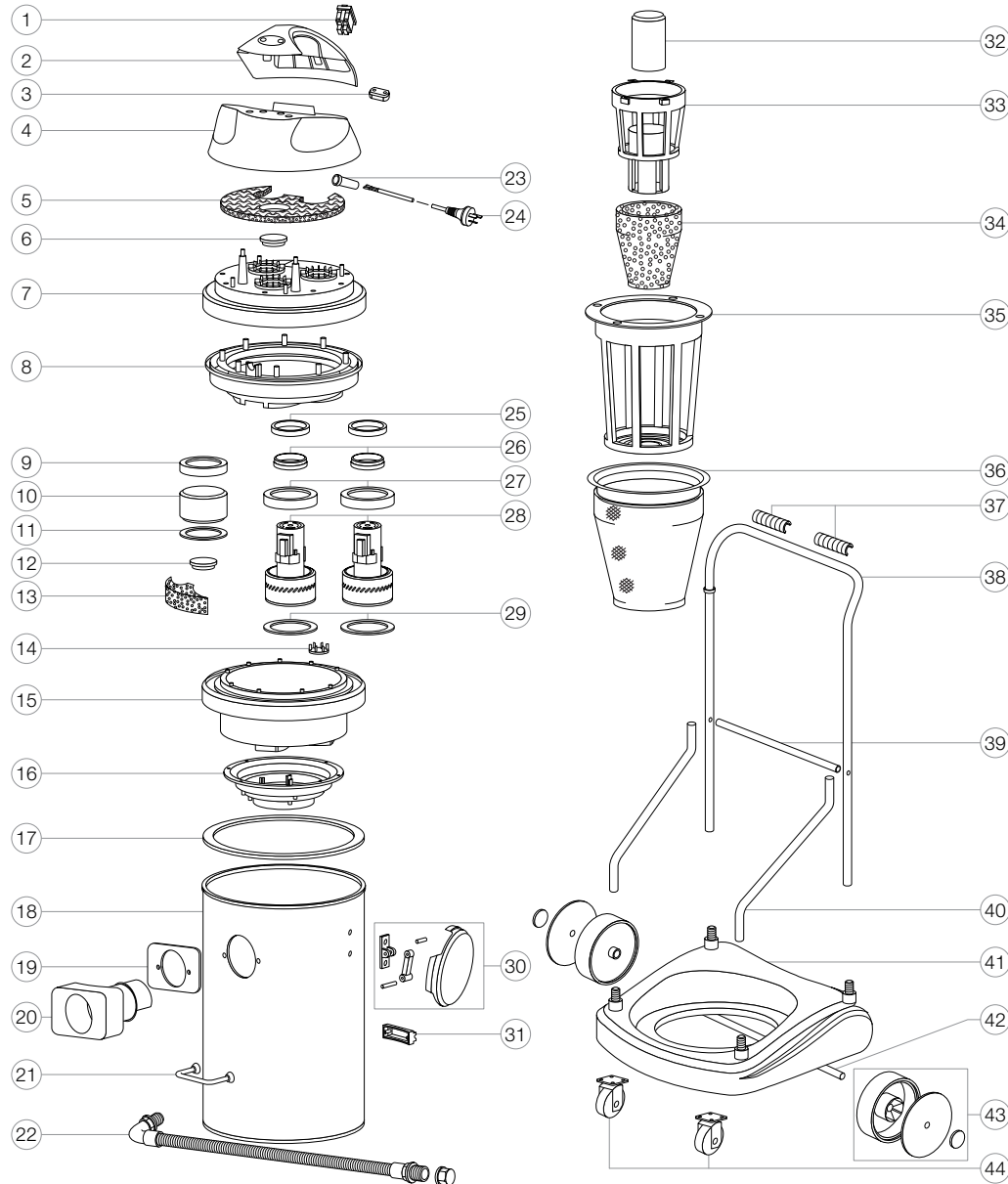
No.	Part Name	Part No.
12.	Disposable sealed paper dust bag 36L (5pk)	DUB012
13.	Disposable sealed SMS dust bag 36L (5pk)	DUB013
14.	HEPA rated filter 165mm	FIL012



\*Technical specifications, part numbers and part designs are subject to change without notice.

## Parts Profile

Hydropro 76 - 01HY076VW



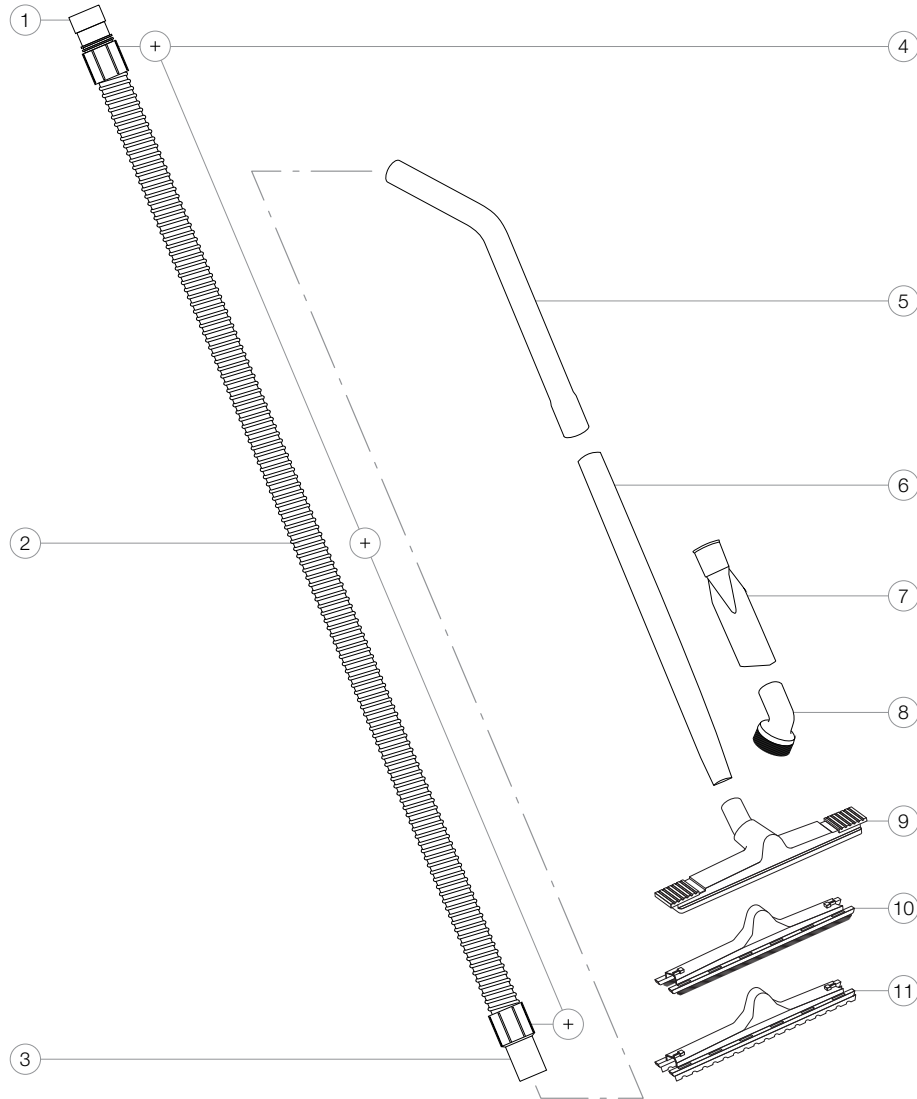
## Spare Parts

Quote these part numbers when ordering spare parts.

No.	Part Name	Part No.
1.	Red illuminated waterproof switch	SWI005
2.	Handle cover 345mm	COV007
3.	Cable clamp 35mm	CLA002
4.	Top cover 440mm	COV004
5.	Foam filter 360mm	FIL011
6.	Blank cap 45mm	CAP005
7.	Motor holder cover 450mm	COV005
8.	Motor holder 440mm	HOL007
9.	Rubber gasket motor	GAS009
10.	Motor spacer 138mm	SPA010
11.	Foam gasket motor (black)	GAS004
12.	Blank cap 45mm	CAP004
13.	Noise insulation foam 185mm	INS001
14.	Plastic valve 58mm	VAL001
15.	Motor base 450mm	BAS004
16.	Basket holder 300mm	HOL010
17.	Rubber gasket head 441mm	GAS002
18.	Hydropro 76 canister	CAN011
19.	Rubber gasket inlet 110mm	GAS003
20.	Hose inlet 45mm	HOI002
21.	Plastic handle 130mm	HAN003
22.	Drainage hose	HOA007
23.	Rubber grommet cable 45mm	GRO001
24.	Hard-wired power cord 8.5m	PWC012
25.	Ring spacer 85mm	SPA009
26.	Ring spacer 80mm	SPA005
27.	Rubber gasket motor	GAS009
28.	1100W Two-stage bypass motor	MOT006
29.	Foam gasket motor (black)	GAS004
30.	Plastic latch 110mm	LAT003
31.	Tank bracket	BRA001
32.	Plastic float 80mm	FLO001
33.	Float cage	CAG005
34.	Foam filter cover	FIL010
35.	Large filter cage	CAG004
36.	Filter liner 460mm	FIL015
37.	Handle grip	GRI001
38.	Steel handle	HAN001
39.	Steel crossbeam bar support 515mm	BAR002
40.	Steel bar support 580mm	BAR001
41.	Canister base 600mm	BAS002
42.	Steel axle 548mm	AXL001
43.	Rubber wheel 195mm	WHL003
44.	Rubber castor wheel 80mm	WHL002

## Parts Profile

Hydropro 76 - 01HY076VW



## Spare Parts

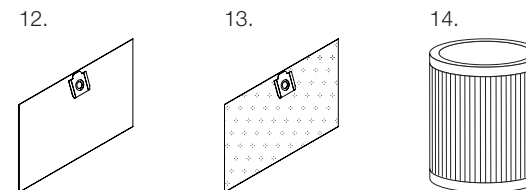
Quote these part numbers when ordering spare parts.

No.	Part Name	Part No.
1.	Hose connector machine end	CON004
2.	Hose 2.5m	HOS003
3.	Hose connector wand end	CON005
4.	Push fit hose (curved handpiece) 2.5m	HOA006
5.	Chrome bent piece wand	WND004
6.	Chrome straight piece wand	WND005
7.	Crevice tool 38mm	ACC005
8.	Dusting brush 38mm	ACC004
9.	Floor tool body 400mm	FLT010
10.	Floor tool insert 400mm	FLF004
11.	Squeegee floor tool insert 400mm	FLF006

## Optional Extras

Quote the following part numbers when ordering spare parts for all models.

No.	Part Name	Part No.
12.	Disposable sealed paper dust bag 76L (5pk)	DUB014
13.	Disposable sealed SMS dust bag 76L (5pk)	DUB015
14.	HEPA rated filter 180mm	FIL013



## Specifications

<b>Model</b>	Hydropro 76
<b>Model No</b>	01HY076VW
<b>Volts/Frequency</b>	230-250V AC 50/60Hz
<b>Motor</b>	2 x 1100W two-stage by-pass
<b>Noise Level (at 1.5m)</b>	75dB(A)
<b>Filtration</b>	Wet one-stage, Dry two-stage (HEPA rated filter available)
<b>Volumetric Airflow (Max.)</b>	67L/s / 45L/s (single motor)
<b>Capacity</b>	76L
<b>Weight (excluding power cord assembly and hose)</b>	23.1kg
<b>Power Source</b>	Mains, 8.5m power cord, hardwired

\*Technical specifications, part numbers and part designs are subject to change without notice.