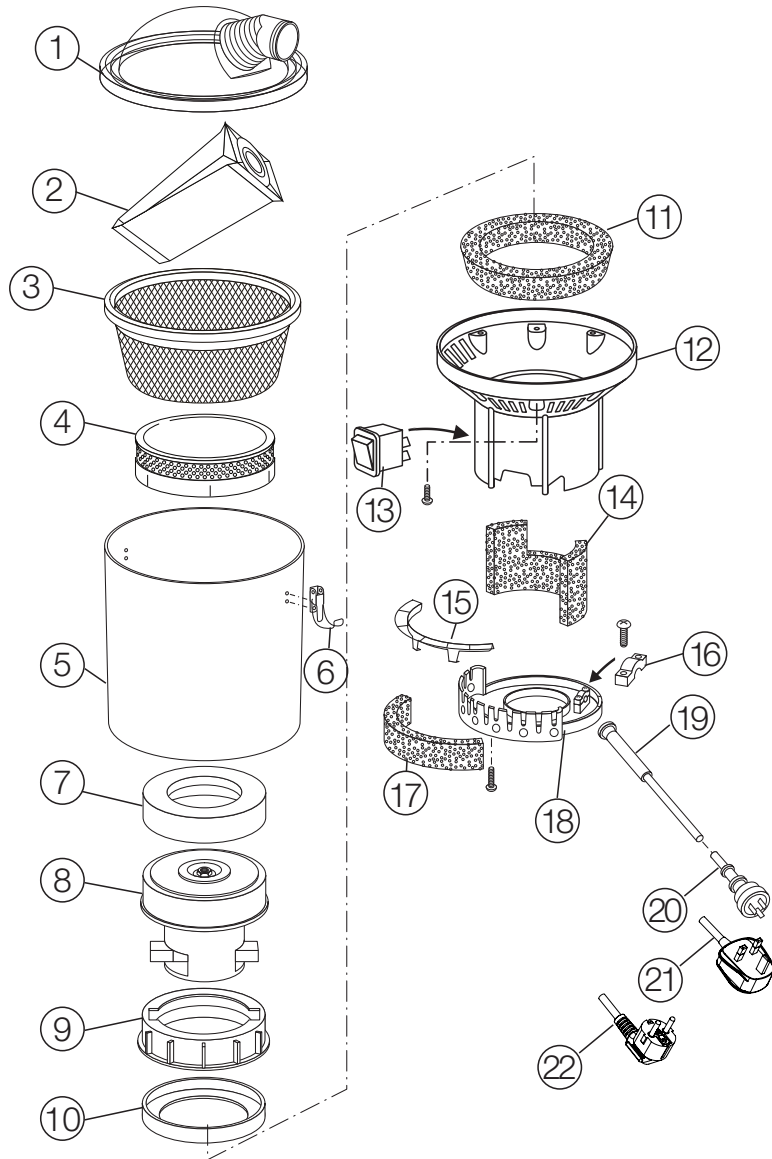


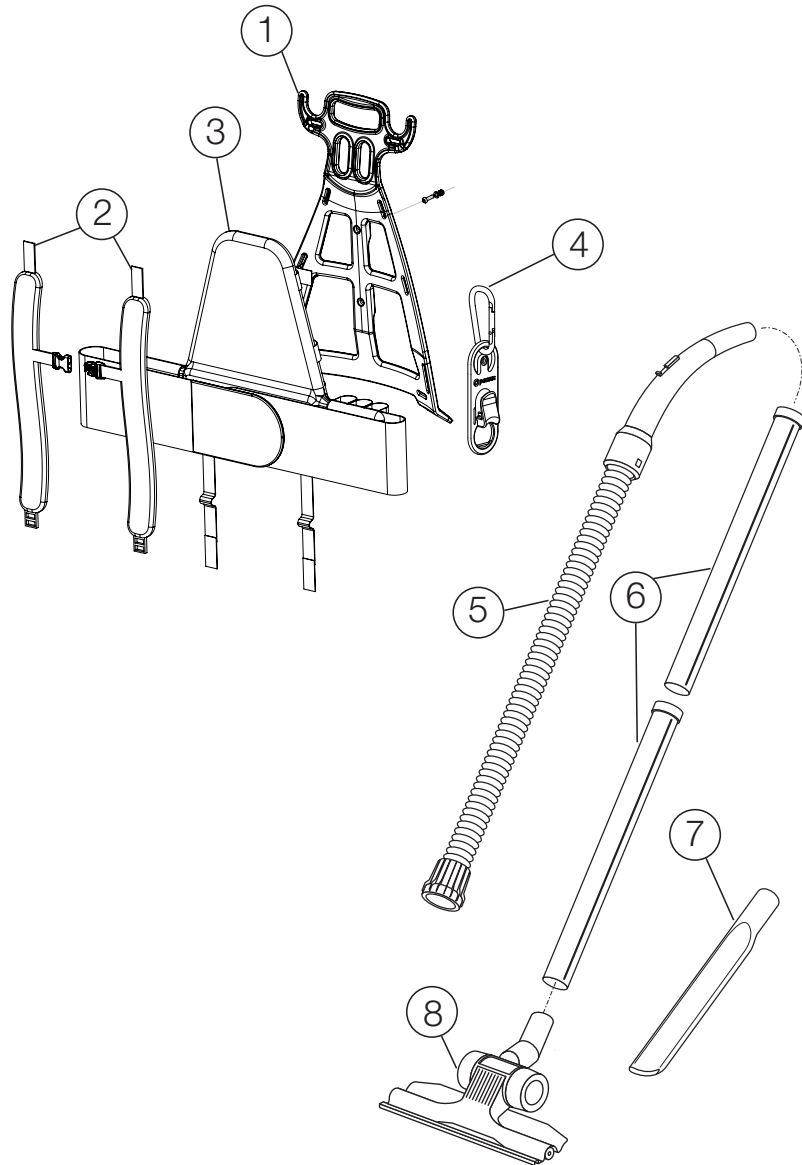
Thrift 650



No.	Item Description	Item No.
1.	Lid - Plastic - Clear - 270mm	LID001
2.	Dust Bag - Disposable - SMS - Sealed - Pkt 5	DUB005
3.	Dust Bag - Reusable - SMS - Bucket - Pkt 1	DUB006
4.	Filter - Pre-Motor - Cartridge - Hi-Flow	FIL002
5.	Canister - Thrift 650	CAN002
6.	Latch - Aluminium - Silver - 65mm	LAT001
7.	Gasket - Motor - Foam - 145mm	GAS010
8.	Motor - Single Stage - Flow Through - 240V - 1300W	MOT005
9.	Spacer - Motor - Plastic - 145mm	SPA002
10.	Gasket - Motor - Rubber - 150mm	GAS007
11.	Insulation - Noise - Foam - 180mm	INS008
12.	Intermediate Housing - Insert - Blank - Grey	INH004
13.	Switch - On-Off - Non-Illuminated - Black	SWI001
14.	Insulation - Motor - Foam - 420mm	INS009
15.	Cage - Motor Filter - Plastic - Blue	CAG002
16.	Clamp - Cable - Plastic - White - 34mm	CLA001
17.	Filter - Exhaust - Flat - Foam	FIL004
18.	Bottom Cap - Plastic - Black - 175mm	BOT001
19.	Short Lead - Hard Wired - 420mm - 3C - Plug Type I	SHL003
20.	Extension Lead - 18m - 3C - Plug Type I	EXL001
21.	Power Cord - Hard Wired - 18m - 3C - Plug Type G	PWC021
22.	Power Cord - Hard Wired - 18m - 3C - Plug Type E/F	PWC022

Specifications	
Model Number	01TH650VB
Volts / Frequency	220-240V AC 50Hz
Motor	1300W single-stage flow through
Noise Level (at 1.5m)	66dB(A)
Filtration	4 stage, hi-flow filter
Volumetric Airflow (max.)	55L/s
Capacity	5L
Weight (ex. power cord assembly & hose assembly)	4.8kg
Vibration Level	≤2.5m/s ²
Power Source	Mains, 18m power cord, hardwired

Thrift 650



No.	Item Description	Item No.
1.	Frame - Backpack - Plastic - Black - 530mm	FRA001
2.	Strap - Shoulder - Padded - Black - Pkt 2	STP003
3.	Harness - Padded Back - Elastic Hip Band	HAR001
4.	Cord Restraint Plastic - Aluminium Carabiner	COR004
5.	Hose Assembly - 32mm - 1.2m - Screw Fit	HOA002
6.	Wand - Two Piece - Plastic - 32mm	WND003
7.	Accessory - Crevice Tool - 32mm	ACC002
8.	Floor Tool - All Purpose - 32mm - 285mm	FLT002

Optional Extras

No.	Part Name	Part No.
9.	Floor Tool - Combination - 32mm - 270mm	FLT003
10.	Floor Tool Fitting - Plate - 270mm	FLF001
11.	Floor Tool - Hard Surface - 32mm - 300mm	FLT005
12.	RCD - Piggy Back - Plug Type I	RCD003
13.	Floor Tool - Turbo Head - 32mm - 280mm	FLT007
14.	Hand Piece - 32mm - Chrome	HAP003
15.	Wand - Telescopic - Chrome - 32mm	WND001

