

SkyVacuum Industrial 85

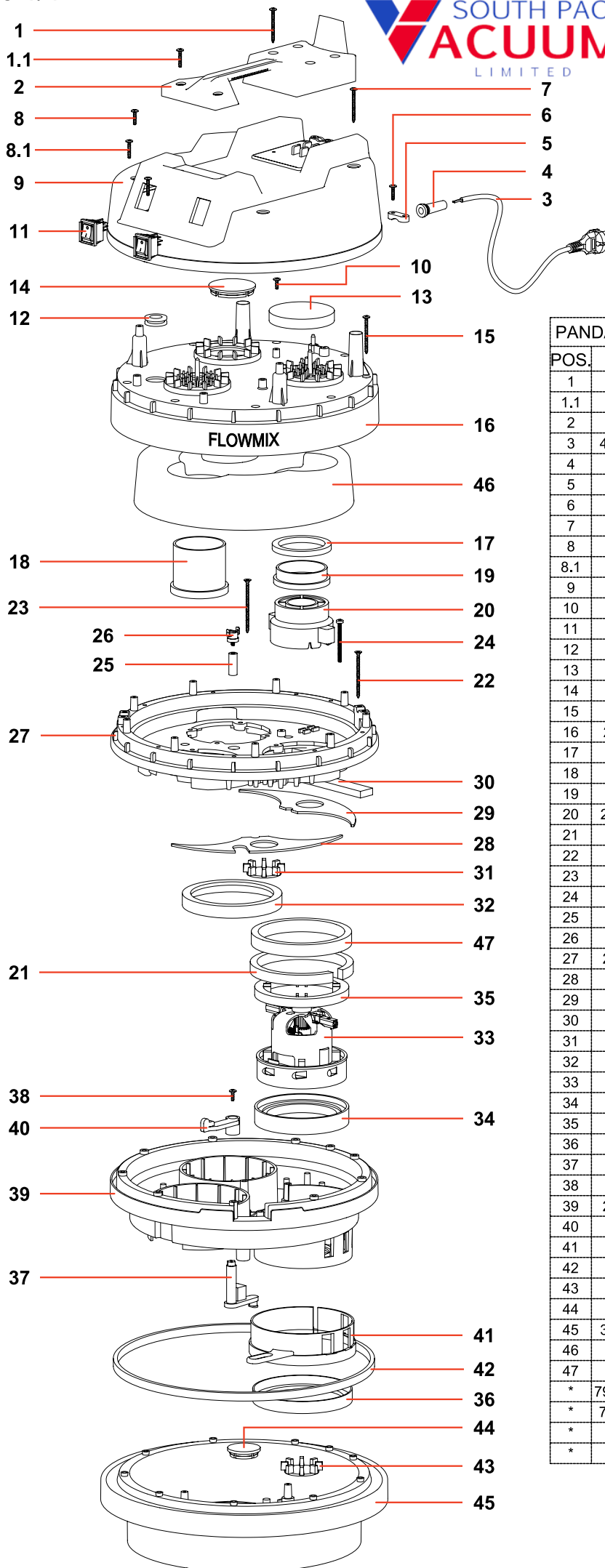
AU Version - PA429FBNXSPINKA

TAV. 645

18/12/2014

South Pacific Vacuums

+64 9 520 20 30, info@spv.nz



PANDA HEAD 429F-M 250V L.BLUE/G6 REF. 21027 P KAU

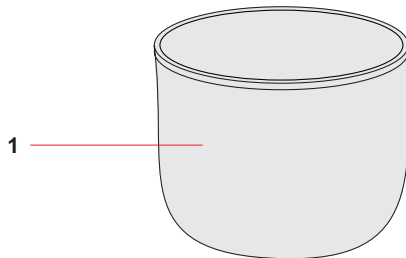
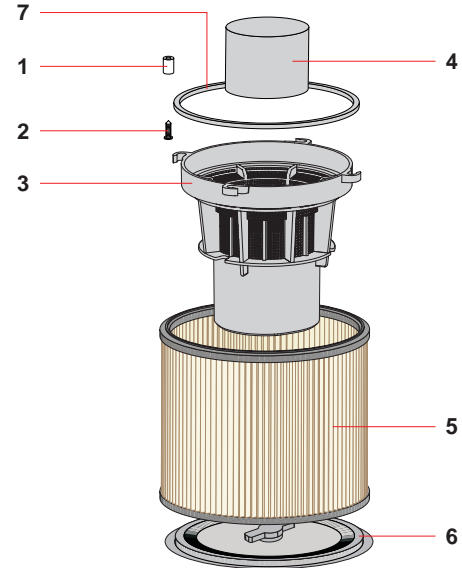
POS.	REF.	DESCRIPTION	N°
1	1054	SCREW PAT TMT PHL 5X50	4
1.1	1979	SCREW PFU TMT PHL 5X25 ZN BLACK	2
2	6097AZ	HANDLE PANDA 600 (LIGHT BLUE)	1
3	4062 AUS	CAVO ELETTRICO 2X1,5 MT.8,5 AUS	1
4	138	FAIRLEAD	1
5	139	CABLE CLAMP	1
6	1006	SCREW PFU TMT PHL 5X20 BLACK	2
7	1054	SCREW PAT TMT PHL 5X50	2
8	1006	SCREW PFU TMT PHL 5X20 BLACK	2
8.1	1979	SCREW PFU TMT PHL 5X25 ZN BLACK	2
9	6098G6	COVER PANDA 600 2M (GR6000)	1
10	1005	SCREW PAT TMT PHL 5X14 ZN BLACK	2
11	484	ANTISPLASH RED LIGHT SWITCHER	2
12	1502	GUIDING SLIT FOR QUICK COUPLING	1
13	3937	FILTER MTP/65 H=15 D.95	2
14	3383	COVERING CAP	1
15	3273	SCREW PAT TMT PHL 5X55 BLACK	9
16	21768AZ	COVERING 600 LIGHT BLUE	1
17	3969	WASHER H8 D85X65	2
18	20742	SPACER FOR SERIES AND PARALLEL H.70	1
19	310	PLASTIC RING FOR MOTOR H=15	1
20	20325 AU	COVER/ADAPTER F/MOT.BYPASS SELF-EXT	2
21	20844	ANTI-NOISE 440X15X10	1
22	6600	CROSS SCREW TS 5X70	12
23	20951	CROSS SCREW TS 5X80	1
24	20081	CROSS SCREW TC M 5X60 UNI 7687	1
25	6241	THERM. PROBE	1
26	6235	THERMOREGULATOR MAX T.85 C	1
27	20811G6	MOT.FASTENER HS 600 GREY 6000	1
28	20831	MUFFLER DEVICE ON LEVER SIDE	1
29	20845	MUFFLER DEVICE	2
30	20843	ANTI-NOISE 140X25X10	3
31	468	AUTOMATIC VALVE	3
32	3901	"L" GASKET W/O HOLES H=5,5	2
33	20870	MOT.BS282 WL 1000W 240-250 50/60 M	2
34	20360	"L" GASKET D.130 H=13	2
35	20361	"C" GASKET D.130	2
36	3901	"L" GASKET W/O HOLES H=5,5	1
37	20687	LEVER FOR GATE VALVE	1
38	1005	SCREW PAT TMT PHL 5X14 ZN BLACK	1
39	20631G6	MOT.FASTENER FLOW MIX 2 MOTORS G6	1
40	20688	LINKAGE FOR GATE VALVE	1
41	20686	GATE VALVE	1
42	20842	GASKET 6X12 DIA 380	1
43	468	AUTOMATIC VALVE	2
44	3519	BASE CAP	1
45	3108 PG6	C.BASE 600/400 W/GASK.W/ST.PL. GR6	1
46	20782	ANTI-NOISE 400/600 D320X65	1
47	21037	FOAM FILTER S-EXT.146X126X18 PPI45	2
*	7976 2MOT	ELECTR.KIT 600 TP 2MOT RAD	1
*	7632 L TP	CONNECTION 50CM TP MOTOR	2
*	1107	WIRE WITH RESISTANCE	1
*	1106	CLAMP	3

SkyVacuum Industrial 85

AU Version - PA429FBNXSPINKA

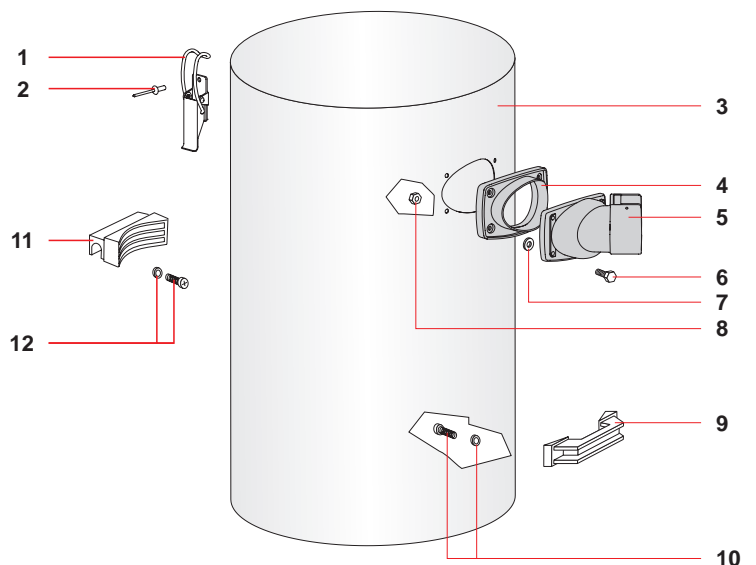
TAV. 645
18/12/2014

FILTRATION KIT 300/500/400/600 POLY REF. 21966 POLY			
POS.	REF.	DESCRIPTION	N°
1	3706	PLASTIC SLEEVE D.8	4
2	3724	SCREW PAT TMT PHL 5X25	4
3	21243NE	INET ANTIFOAM BODY HIGH	1
4	2676-1 G	HIGH FLOAT 99 W/GASKET 37 SHA	1
5	6061	POLYESTER CARTRIDGE 175X145X163	1
6	2855	COMPL. RING FOR FILTER	1
7	3735-2	GASKET H3 DS50 W/ANTIFOAM BODY	1

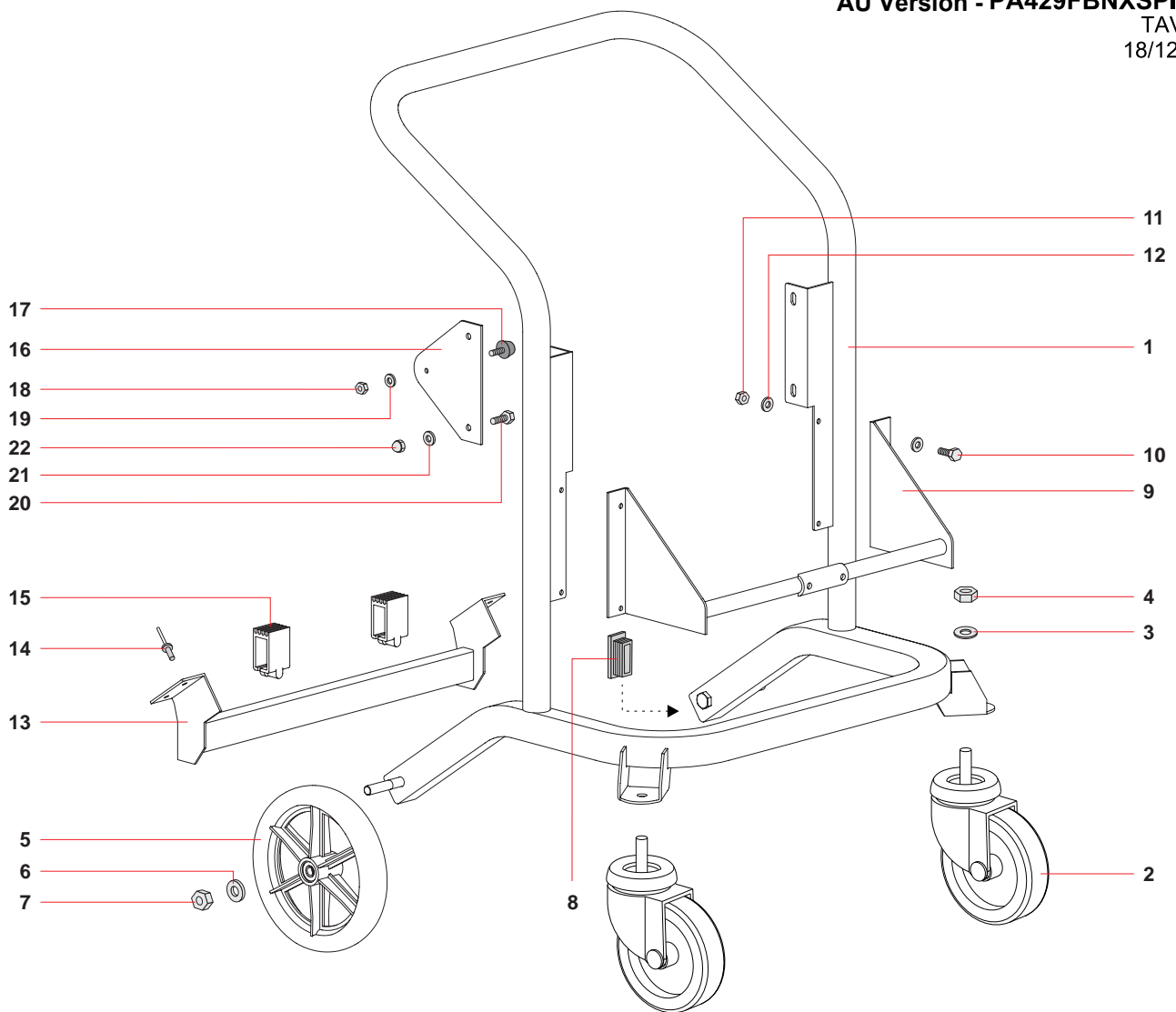


PREFILTER			
POS.	REF.	DESCRIPTION	N°
1	21178	FILTER PCARBON 300 CONICAL	1

TANK 400 B H685 A430 3G IN/TANG COM REF. 21616 SPIN			
POS.	REF.	DESCRIPTION	N°
1	7390	UNIVERSAL METAL HOOK	3
2	1301	RIVET 5X11	6
3	21615 SPIN	TANK 400 BASC.H=685 SP08 A430 3H T	1
4	21647	TANGENTIAL INLET GASKET	1
5	30182 COMP	COMPL. TANGENTIAL INLET D60 ALL.	1
6	30183	SCREW TE M5X25 UNI5739 Z.B.	4
7	30214	PVC WASHER 60SH D13.5X4.5 H=3	4
8	1035	NUT M5	4
9	2993-1G6	GREY 6000 HANDLE	1
10	3968	COMPLETE SEAL W/SCREW L=25	2
11	20233	BODY HINGE TIPPING COMP	1
12	3968	COMPLETE SEAL W/SCREW L=25	2



SkyVacuum Industrial 85
AU Version - PA429FBNXSPINKA
 TAV. 645
 18/12/2014



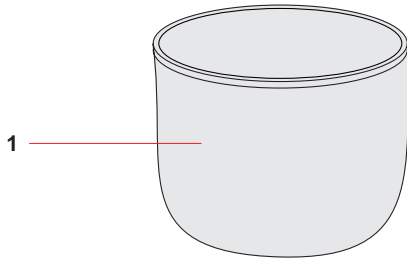
COMPL.TIPPING TROLLEY 400 OPTIM			REF. 21953
POS.	REF.	DESCRIPTION	N°
1	30156	OPTIM 400 FRAME	1
2	6896	WHEEL DIA.150 M.12X35	2
3	1028	WASHER M12 UNI 6592	2
4	2052	LOW SELF-LOCKING NUT M 12	2
5	30157	FIX WHEEL PU DIA.245X50	2
6	1028	WASHER M12 UNI 6592	4
7	2052	LOW SELF-LOCKING NUT M 12	2
8	6835	PLAST. CAP 40X40	2
9	30158	HINGE AXIS	1
10	1001	SCREW "TE" M 6X16 UNI 5739	4
11	1003	NUT 6 M UNI 5588	4
12	1052	WASHER 6	8
13	30159	TIPPING TANK SUPPORT	1
14	1302 INOX	RIVET 5X19 INOX	4
15	3450	TIPPING BEARING FEET	2
16	30160	FEET PLATE	2
17	3306	BUMPER GASKET 6MA H=17	2
18	1003	NUT 6 M UNI 5588	4
19	1052	WASHER 6	4
20	7136-1	SCREW TBE1 8X16 UNI 7380 STAINL. STE	4
21	1034	WASHER M 8 UNI 6592	4
22	130	CAP NUT 8 M	4

SkyVacuum Industrial 85

AU Version - PA429FBNXSPINKA

TAV. 645

18/12/2014



PREFILTER			
POS.	REF.	DESCRIPTION	N°
1	21178	FILTER PCARBON 300 CONICAL	2