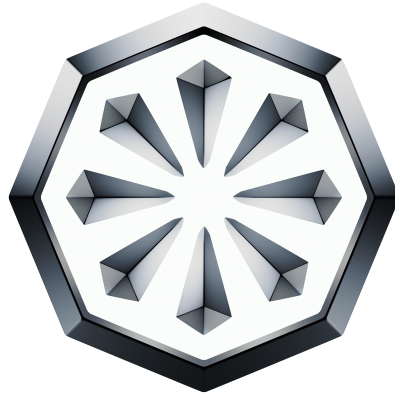




South Pacific Vacuums  
+64 9 520 20 30  
info@spv.nz



**IPC**

## **Spare parts list**

Ref: ASDO07963

Cust.ref: MEC 215

Model: VACUUM CLEANER MEC 215 W/ACC.(KER-NZ)

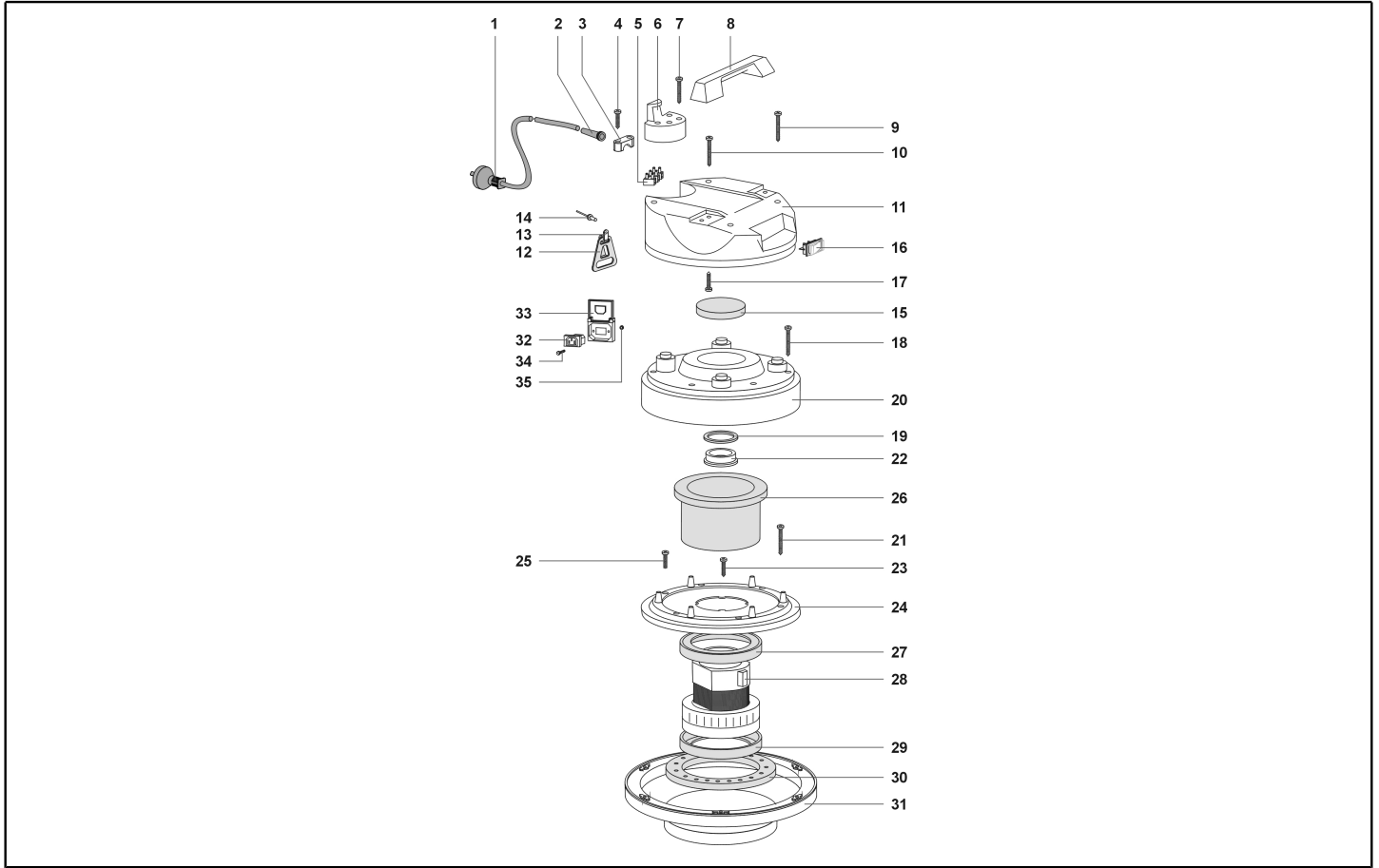
Cust.model:



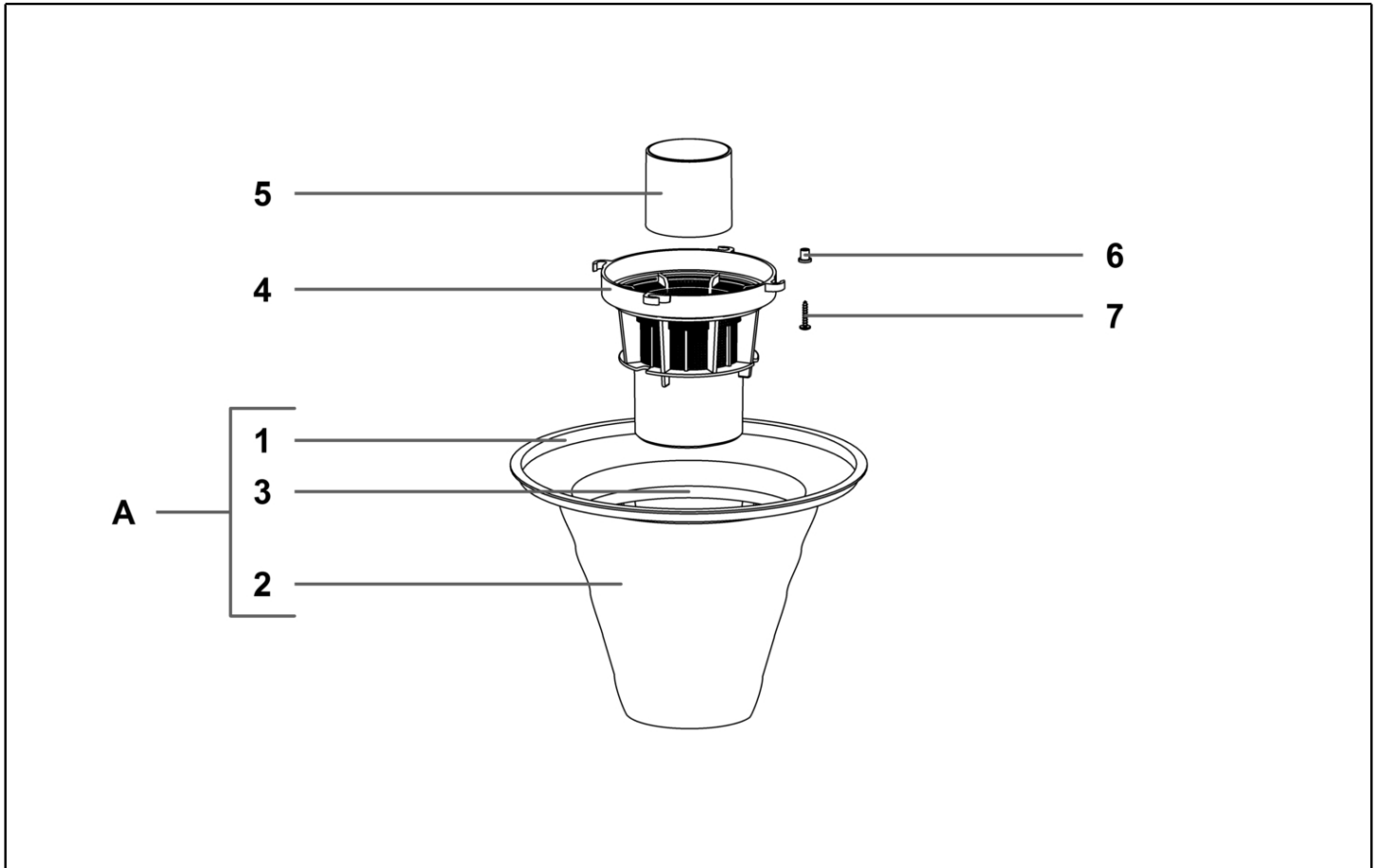
IPC Integrated Professional Cleaning

**IPC Soteco**

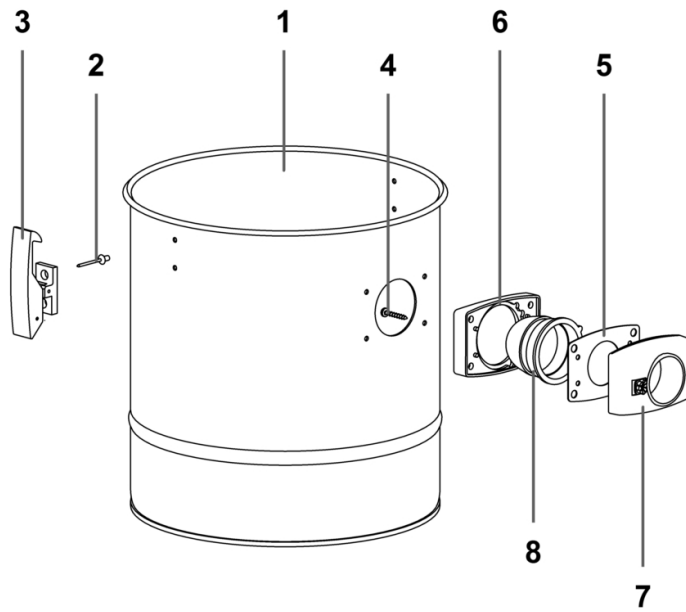
Ref. K	Part n.	Customer part n.	Description	Quantity	Validity		Price
					From	To	
0001	PMTA05605	02663 P KERRNZ	HEAD 99/115-315 PS W/P	1,00			--
0002	KTRI04088	03247 SAN	FILTERING KIT 500 CONICAL	1,00			--
0003	LAFN10703	02950/K	TANK 215 AISI 430 V/INOX COMP	1,00			--
0004	MPVR28703	01219	TROLLEYSQUARE TROLLEY 202 GREY 6	1,00			--



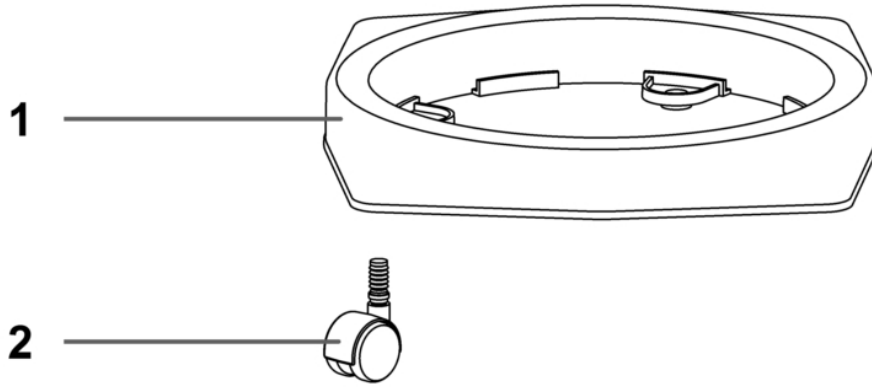
Ref. K	Part n.	Customer part n.	Description	Quantity	Validity		Price
					From	To	
*	MECB01628	01101 L	CONN.WIRE C.200-MA-FF-DFF	1,00			--
*	MECB01631	01101 M	CONN.WIRE C.200-LB-FF-DFF	1,00			--
*	MECB01691	01102 D-G/V	CONN.WIRE M.400-G/V-SP9-5,2	1,00			--
*	MECB01713	01102 R-G/V	CONN.WIRE M.350-G/V-FF-SP9	1,00			--
*	FSVR00127	01106	CLAMP	2,00			--
*	MECB01828	07632/PI TP	WIRING 40CM MOTOR POKE-IN-TP	1,00			--
0001	MECB01511	00466 AUS	POWER CORD ELECTRIC CORD 3X1 (AUS)	1,00			--
0002	MEVR28673	00138	FAIRLEAD	1,00			--
0003	MPVR28690	00139	CABLE CLAMP	1,00			--
0004	VTVT71961	01006	SCREW PFU TMT PHL 5X20 BLACK	2,00			--
0005	MECB01154	03443	TERMINAL BOARD 300-500 3P RAD	1,00			--
0006	MPVR08725	02589G6	HOOK 99 GREY 6000	1,00			--
0007	VTVT71966	01026	SCREW PAT TMT PHL 5X30 BLACK	4,00			--
0008	MPVR08709	02588G6	GREY HANDLE 99 6000	1,00			--
0009	VTVT71971	01050	SCREW PAT TMT PHL 5X35 BLACK	2,00			--
0010	VTVT71971	01050	SCREW PAT TMT PHL 5X35 BLACK	2,00			--
0011	PMVR05167	02716RN	COVER 99 X P.SUPP. RED NOR.	1,00			--
0012	MPVR06992	020232	HOOK F.CABLE AND SOCKET	1,00			--
0013	MPVR06955	07877	BLOCK "P" NYLON	1,00			--
0014	VTVR71992	01302	RIVET 4,8X17	1,00			--
0015	FTDP38064	03937	FILTER MTP/65 H=15 D.95	1,00			--
0016	MECI72195	00326	ANTISPLASH SWITCH	1,00			--
0017	VTVT71961	01006	SCREW PFU TMT PHL 5X20 BLACK	4,00			--
0018	VTVT71971	01050	SCREW PAT TMT PHL 5X35 BLACK	6,00			--
0019	MPVR38371	03969	WASHER H8 D85X65	1,00			--
0020	MPVR09121	02738-1G6	COVERING 99 W/OUT HOLES GREY 6000	1,00			--
0021	VTVT71971	01050	SCREW PAT TMT PHL 5X35 BLACK	6,00			--
0022	MPVR86282	00310	RING MOTORE H=7 (15) PLAST.	1,00			--
0023	VTVT71961	01006	SCREW PFU TMT PHL 5X20 BLACK	4,00			--
0024	MPVR40520	021261RN	MOT.FASTENER 500 NORMAL RED	1,00			--
0025	VTVT01272	021621	SCREW TC CROSS M 5X45 UNI 7687	1,00			--
0026	FTDP38066	03900	FILTER PHONO H=75	1,00			--
0027	GUGO28683	03901	"L" GASKET W/O HOLES H=5,5	1,00			--
0028	MOMO28716	03891/E	MOT.BD302 1000W 220-240V 50-60HZ	1,00			--
0029	GUGO28683	03901	"L" GASKET W/O HOLES H=5,5	1,00			--
0030	FTDP38067	03866	WASHER MTP 65MM 18D 230X145	1,00			--
0031	PMBA00483	01189 GPG6	BASE 500 W/GASK.E PL. GR6000	1,00			--
0032	MEVR29330	00098	SCREWED ADDITIONAL SOCKET	1,00			--
0033	MEVR29329	02184	ADD.SOCKET PROTECTION	1,00			--
0034	VTVT01029	01044	SCREW TSP M 3X25 UNI 610	2,00			--
0035	VTDD00227	01046	NUT M 3 UNI 5588	2,00			--



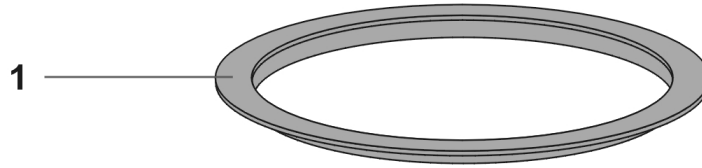
Ref. K	Part n.	Customer part n.	Description	Quantity	Validity		Price
					From	To	
0001	MPVR36522	00507	FILTER RING 500	1,00			--
0002	FTDP00534	02860 SAN	FILTER POLY AN3-500 CON REG H230	1,00			--
0003	MPVR37038	02859	CONICAL BASKET 300	1,00			--
0004	MPVR40521	021243NE	NET ANTIFOAM BODY HIGH	1,00			--
0005	RCGR40008	02676-1 G	HIGH FLOAT 99 W/GASKET 37 SHA	1,00			--
0006	MPVR35796	03706	PLASTIC SLEEVE D.8	4,00			--
0007	VTVT36751	03724	SCREW PAT TMT PHL 5X25	4,00			--
A	KTRIO2943	03241 SAN	KIT RING+FILT+BASK. 500 C	1,00			--



Ref. K	Part n.	Customer part n.	Description	Quantity	Validity		Price
					From	To	
0001	LAFN72150	02949	TANK 215 AISI 430	1,00			--
0002	VTVR71991	01301	RIVET 5X11	4,00			--
0003	PMVR02871	01847/SG6	PLASTIC HOOK COMPL. GR6000	2,00			--
0004	VTVT01190	06258	SCREW AUT.TC PHL 4,8X32 INOX	4,00			--
0005	GUGO28701	02846	GASKET D.38	1,00			--
0006	MPVR08681	02586G6	GASKET R 205 GREY 6000	1,00			--
0007	MPVR09002	02652 AG6	PIPE UNION R155 G6000 W/PUL.RN	1,00			--
0008	MPVR28696	02593	DEFLECTOR 99	1,00			--



Ref. K	Part n.	Customer part n.	Description	Quantity	Validity		Price
					From	To	
0001	MPVR07923	01218G6	TROLLEY BODY SQUARED BODY TROLLEY GREY	1,00			--
0002	RTRT42006	00558	TROLLEY BOX WHEEL	4,00			--



Ref. K	Part n.	Customer part n.	Description	Quantity	Validity		Price
					From	To	
0001	MPVR36522	00507	FILTER RING 500	1,00			--
0001	MPVR36522	00507	FILTER RING 500	1,00			--