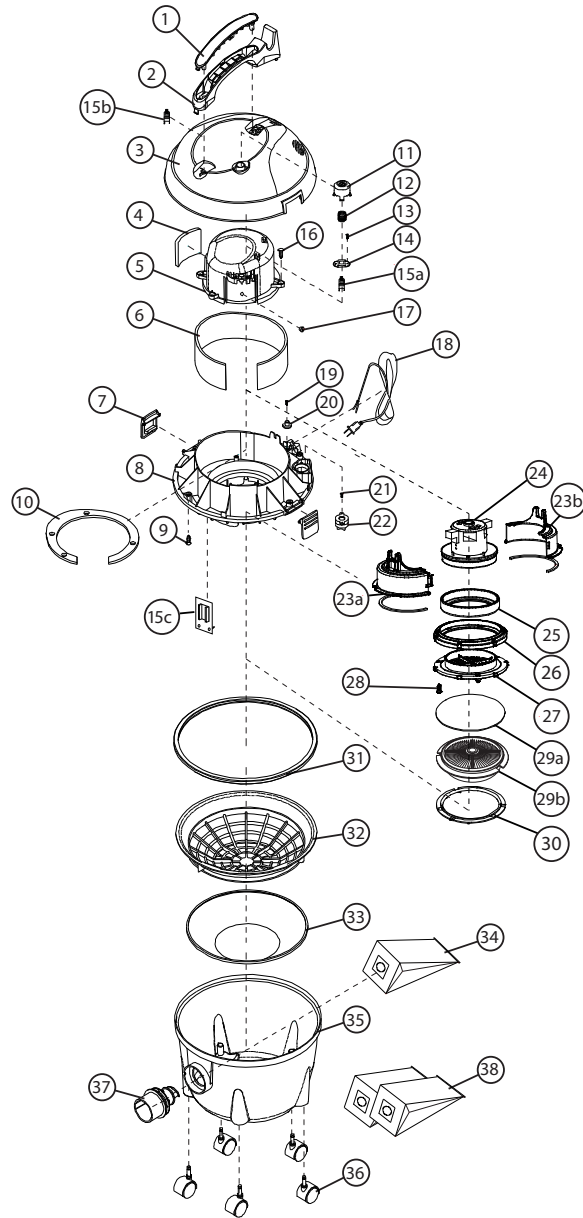


Glide 300 Series

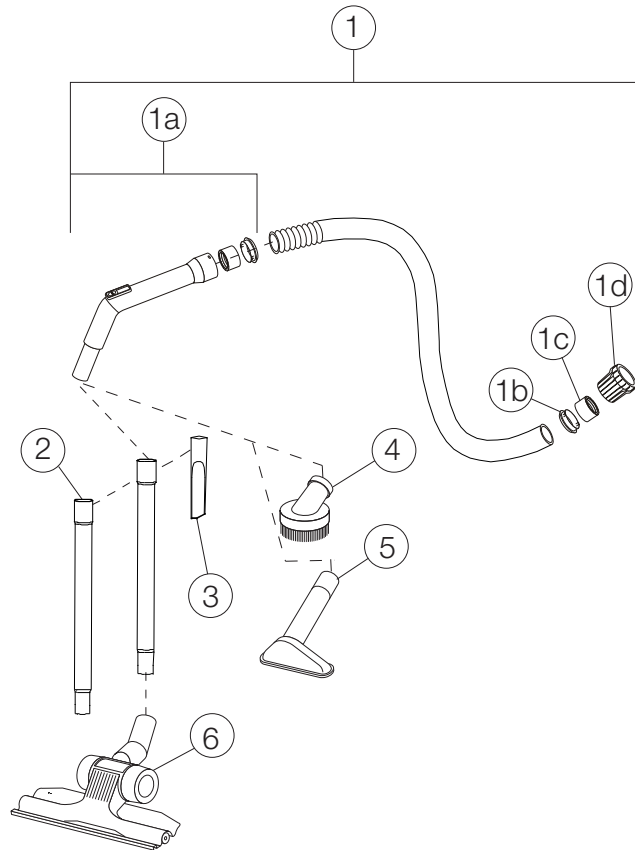


No.	Item Description	Item No.
1.	Cover - Handle - Plastic - 220mm	COV001
2.	Handle - Plastic - Black - 280mm	HAN002
3.	Cover - Top - Plastic - 380mm	COV002
4.	Filter - Exhaust - Flat - Foam	FIL006
5.	Holder - Motor - Plastic - Black - 185mm	HOL003
6.	Insulation - Motor - Synthetic - 630mm	INS002
7.	Latch - Plastic - Black - 50mm	LAT002
8.	Holder - Motor - Plastic - Black - 350mm	HOL002
9.	Screw - Aluminium - 5mm x 22mm	SCR001
10.	Insulation - Motor - Synthetic - 150mm	INS003
11.	Button - On-Off - Plastic - 40mm	BUT002
12.	Spring - Steel - 15mm x 40mm	SPR001
13.	Screw - Aluminium - Black - 3mm x 9mm	SCR002
14.	Bracket - Switch - Plastic - Black - 40mm	BRA007
15a.	Switch - On-Off - Non-Illuminated - Black	SWI003
15b.	Switch - Hi-Low - Non-Illuminated - Black <i>(Glide wispa 300 only)</i>	SWI004
15c.	PCB - Two Speed - AC <i>(Glide wispa 300 only)</i>	PCB002
16.	Screw - Aluminium - 5mm x 15mm	SCR003
17.	Grommet - 2 Wire - Rubber - 10mm	GRO002
18.	Power Cord - Hard Wired - 18m - 2C - Plug Type I	PWC001
19.	Screw - Aluminium - Black - 3mm x 10mm	SCR004

No.	Item Description	Item No.
20.	Clamp - Cable - Plastic - Black - 20mm	CLA003
21.	Screw - Aluminium - Black - 1mm x 7mm	SCR005
22.	Valve - Spring Loaded - Plastic - 32mm	VAL002
23a.	Bracket - Motor - Plastic - Black - Right Hand	BRA006
23b.	Bracket - Motor - Plastic - Black - Left Hand	BRA005
24.	Motor - Single Stage - Flow Through - 240V - 1300W	MOT005
25.	Gasket - Motor - Rubber - 130mm	GAS005
26.	Gasket - Motor - Rubber - 180mm	GAS006
27.	Cage - Motor Filter - Plastic - Black	CAG007
28.	Screw - Aluminium - Black - 3mm x 15mm	SCR006
29a.	Filter - Motor - Flat - Foam	FIL007
29b.	Filter - Pre-Motor - Cartridge - HEPA <i>(Supplied in Glide wispa 300, optional extra for Glide 300)</i>	FIL005
30.	Cage - Motor Filter - Plastic - Black	CAG006
31.	Seal - Filter - Rubber - 350mm	SEA001
32.	Retainer - Filter - Plastic - Black - 340mm	RET001
33.	Filter - Pre-Motor - Cover - Synthetic	FIL008
34.	Dust Bag - Reusable - SMS - Sealed - Pkt 1	DUB009
35.	Canister - Glide 300	CAN008
36.	Wheel - Castor - Black Plastic - 45mm	WHL004
37.	Hose Inlet - Plastic - Black - 32mm	HOI001
38.	Dust Bag - Disposable - Paper - Sealed - Pkt 5	DUB008

Specifications	Glide 300	Glide wispa 300
Model Number	01GL300VC	01GW300VC
Volts / Frequency	220-240V AC 50Hz	220-240V AC 50Hz
Motor	1300W single stage flow through	1300W single stage flow through
Noise Level (at 1.5m)	64dB(A)	64dB(A) 60dB(A) <i>(wispa mode)</i>
Filtration	3 stage	3 stage HEPA rated high-grade filter
Volumetric Airflow (max.)	52L/s	52L/s 41L/s <i>(wispa mode)</i>
Capacity	15L	15L
Weight (ex. power cord assembly & hose assembly)	5.0kg	5.1kg
Power Source	Mains, 18m cord, hardwired	Mains, 18m cord, hardwired

Glide 300 Series



No.	Item Description	Item No.
1.	Hose Assembly - 32mm - 2m - Screw Fit	HOA003
1a.	Hand Piece - 32mm - Plastic	HAP001
1b.	Clip - Hose - Plastic - Black - 32mm	CLI004
1c.	Cuff - Hose - Plastic - Black - 32mm	CUF002
1d.	Connector - Hose - Plastic - Black - 32mm	CON001
2.	Wand - Two Piece - Chrome - 32mm	WND002
3.	Accessory - Crevice Tool - 32mm	ACC002
4.	Accessory - Dusting Brush - 32mm	ACC001
5.	Accessory - Upholstery Tool - 32mm	ACC003
6.	Floor Tool - All Purpose - 32mm - 285mm	FLT001

Optional Extras

No.	Item Description	Item No.
11.	Floor Tool - Combination - 32mm - 270mm	FLT003
12.	Floor Tool Fitting - Plate - 270mm	FLF001
13.	Floor Tool - Hard Surface - 32mm - 300mm	FLT005
14.	RCD - Piggy Back - Plug Type I	RCD003
15.	Floor Tool - Turbo Head - 32mm - 280mm	FLT007
16.	Hand Piece - 32mm - Chrome	HAP003
17.	Wand - Telescopic - Chrome - 32mm	WND001

