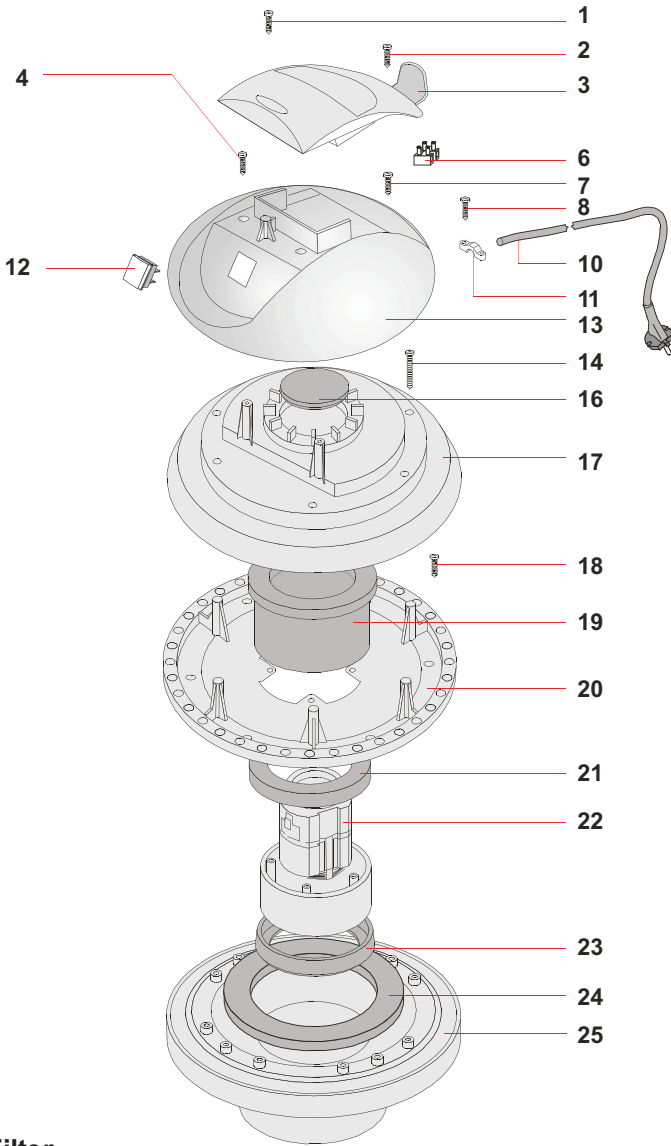


Head

Assembly Part No: 7192

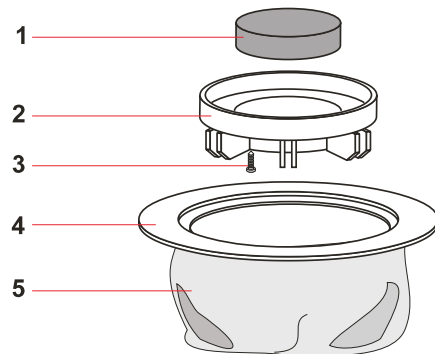
POS	PART NUMBER	DESCRIPTION	#
1	VP01006	SCREW PFU TMT PHL 5X20	1
2	VP01006	SCREW PFU TMT PHL 5X20	1
3	VP06031	HANDLE YES	1
4	VP01006	SCREW PFU TMT PHL 5X20	2
6	VP03464	TERMINAL BOARD BASE-SKIP BOX RAD	1
7	VP01006	SCREW PFU TMT PHL 5X20	2
8	VP01006	SCREW PFU TMT PHL 5X20	2
10	VP00117 AUS	ELECTRIC CORD 2X1 MT.8.5 AUS.	1
11	VP00139	CABLE CLAMP	1
12	VP00114	SWITCH	1
13	VPR7197G6	COVER YES HP GR.6000	1
14	VP01050	SCREW PAT TMT PHL 5X35	6
16	VP03383	COVERING CUP	1
17	VP06036	COVERING YES DRY	1
18	VP01006	SCREW PFU TMT PHL 5X20	6
19	VP03900	FOAM FILTER	1
20	VP06037	MOTORFASTENER YES	1
21	VP03935	SPACER DRY MOTORS	1
22	VP07585	MOTOR TS25 CP 1000W 230/50 MONO NZ	1
	VP07492	MOTOR TS25 CP 1000W 240-250 50/60 M	1
23	VP07630	RETAINING PAGODA D132 MM	1
24	VPR7635	RONDELLA MTP 65MM.18D.230X145 S/F	1
25	VP03190 G	**BASAMENTO 500 MONOSTADIO C/GUARN.	1
*	VP07632	ELECTRIC KIT MOT. PAGODA AMETEK	2
*	VP01106	CLIP	1



Filter

Assembly Part No: 3833

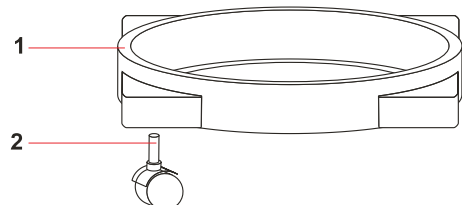
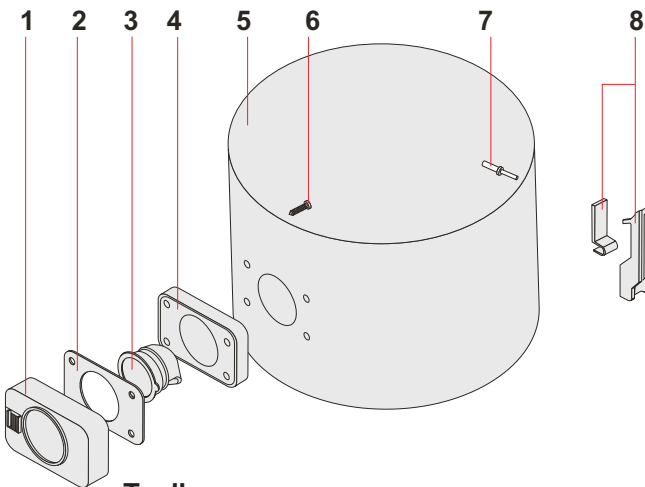
POS	PART NUMBER	DESCRIPTION	#
1	VP01203	ENTER FILTER PPI/45 D.115	1
2	VP00122	BASKET FOR FILTER 300	1
3	VP01050	SCREW PAT TMT PHL 5X35	4
4	VP00507	FILTER RING 500	1
6	VP00124	POLYESTER FILTER H=75	1



Tank

Assembly Part No: 6040

POS	PART NUMBER	DESCRIPTION	#
1	VP02652 A	INLET R 155	1
2	VP02846	GASKET D.38	1
3	VP02593	DEFLECTOR 99	1
4	VP02586	GASKET R 205	1
5	VP06038	PLAST TANK YES 202	1
6	VP01206	FILTER MTP/30 30X10X150	4
7	VP01302	RIVET 5X19	4
8	VP03602	SPRING HOOK COMPL.	2



Trolley

Assembly Part No: 1219

POS	PART NUMBER	DESCRIPTION	#
1	VP01218	TROLLEY BODY SQUARE	1
2	VP00558	TROLLEY BOX WHEEL	4
*	VP01005	SCREW PAT TMT PHL 5X14	4